

# WIKING

---



WIKING Maxi 2



WIKING Maxi 4



WIKING Maxi 6

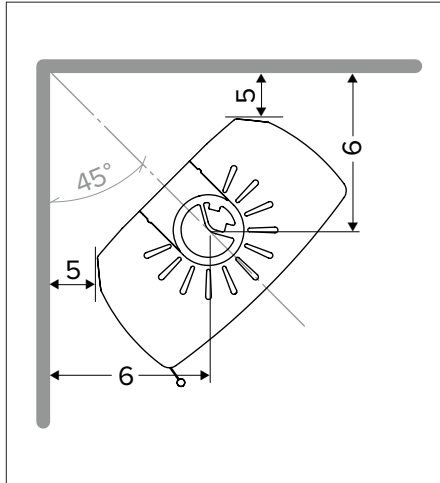
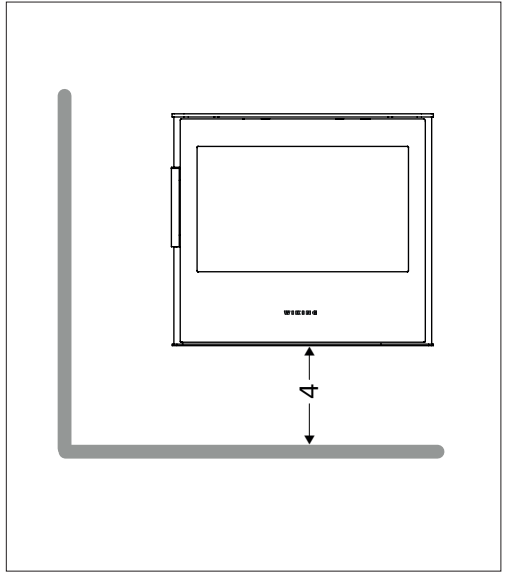
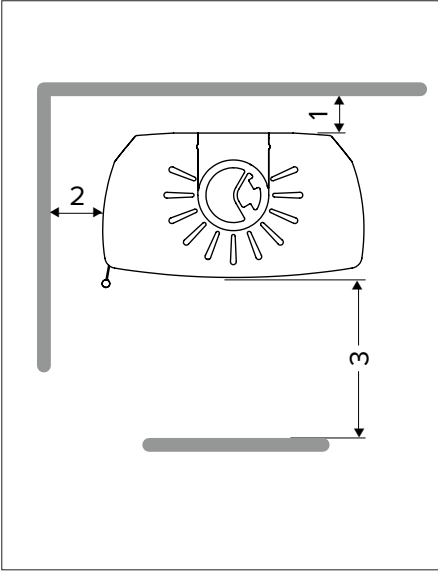
EN

Installation- and User's Manual

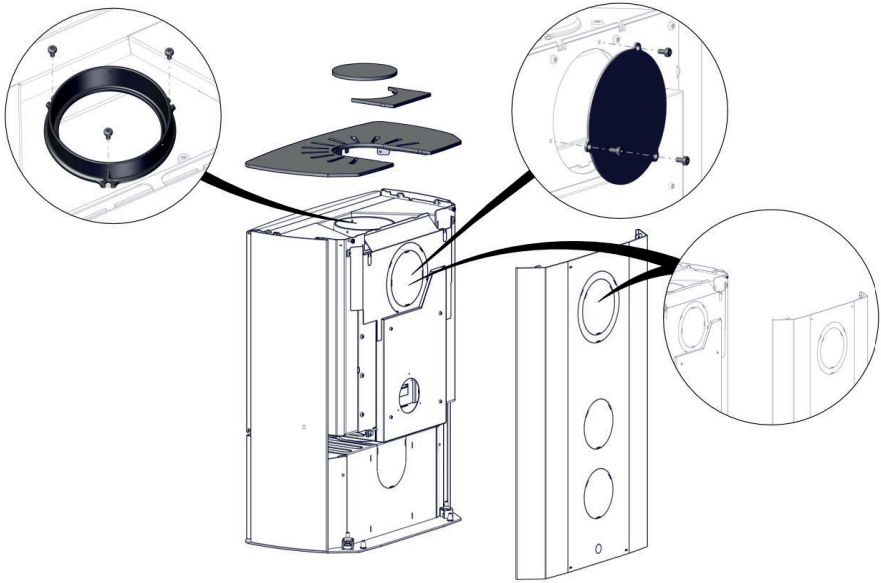
# Contents

Drawings .....	3-8
Installation .....	9
Firing manual - wood.....	14
Firing in general .....	17
Maintenance.....	18
Declaration of Performance .....	20
Trouble Shooting .....	22
Product informaiton EcoDesign .....	21
Guarantee Certificate .....	24

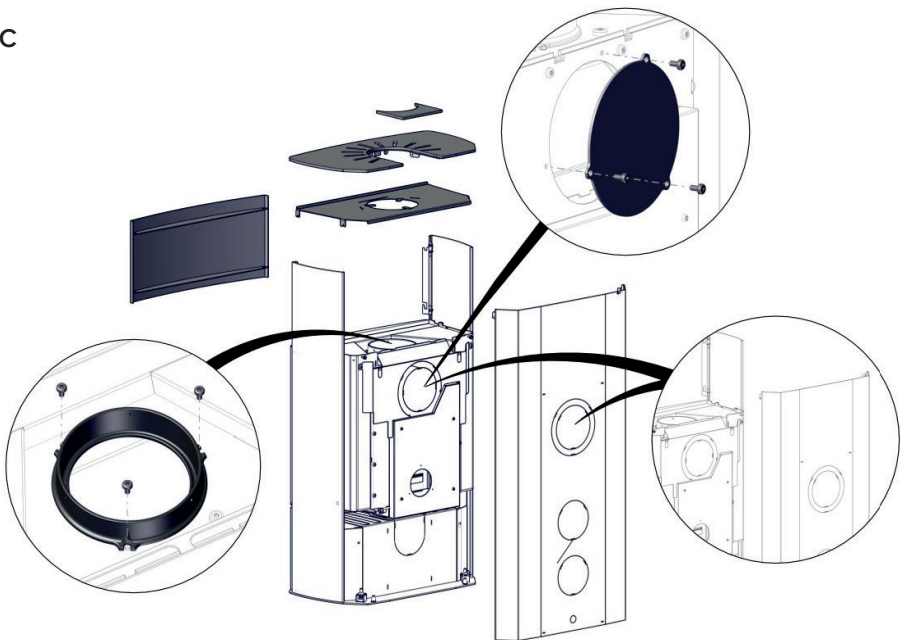
A



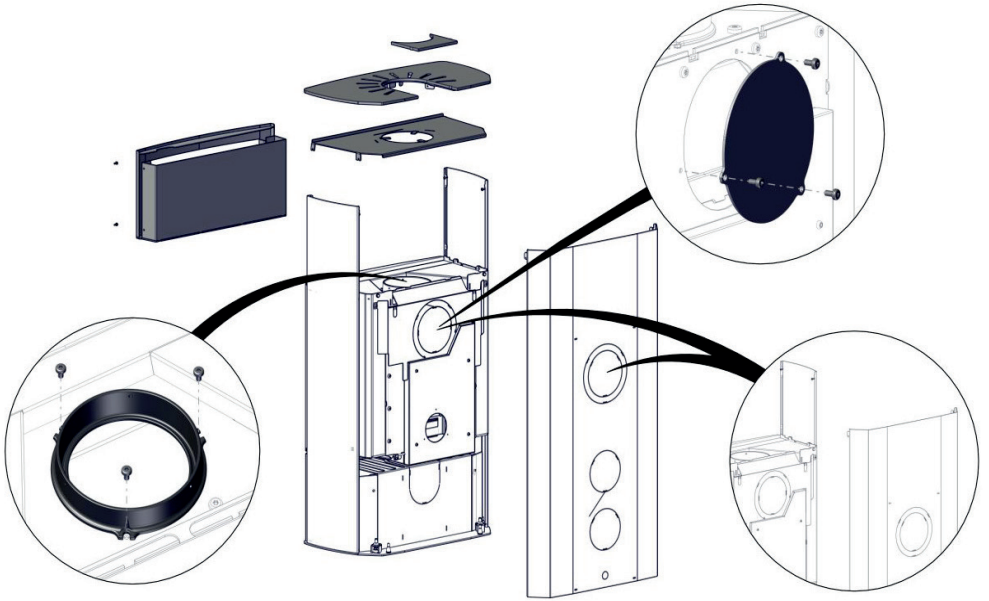
B



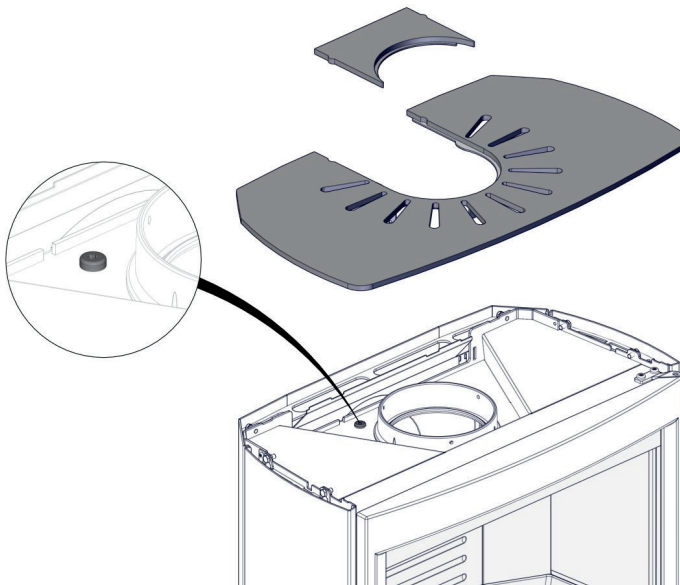
C



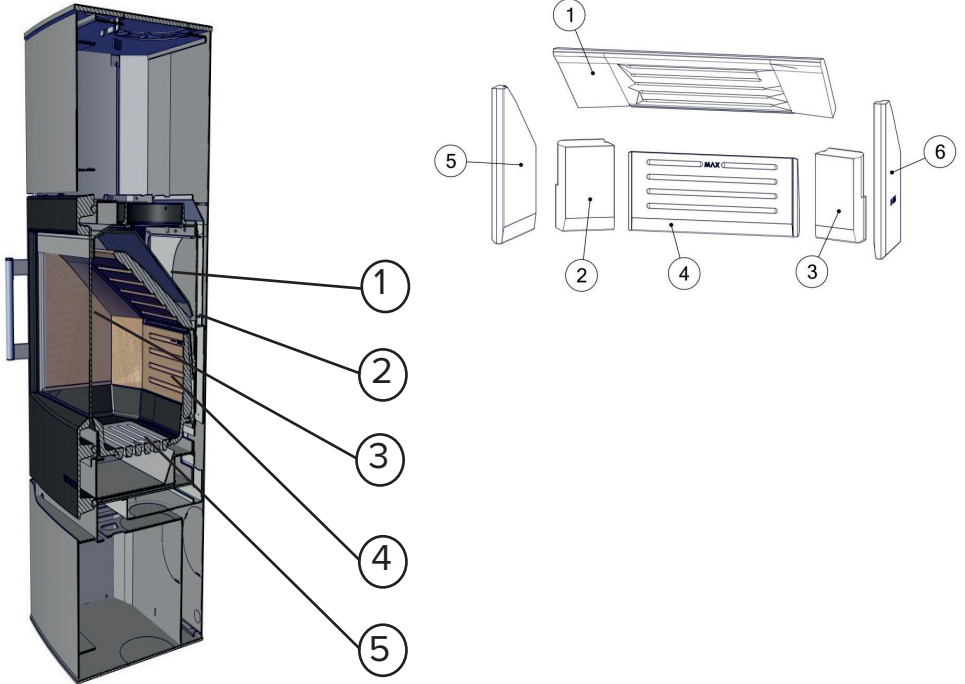
D



E



F



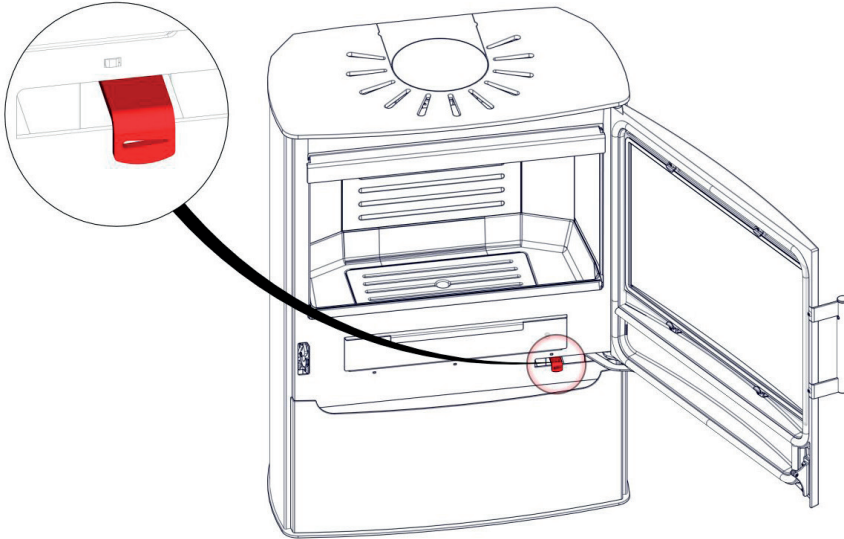
G



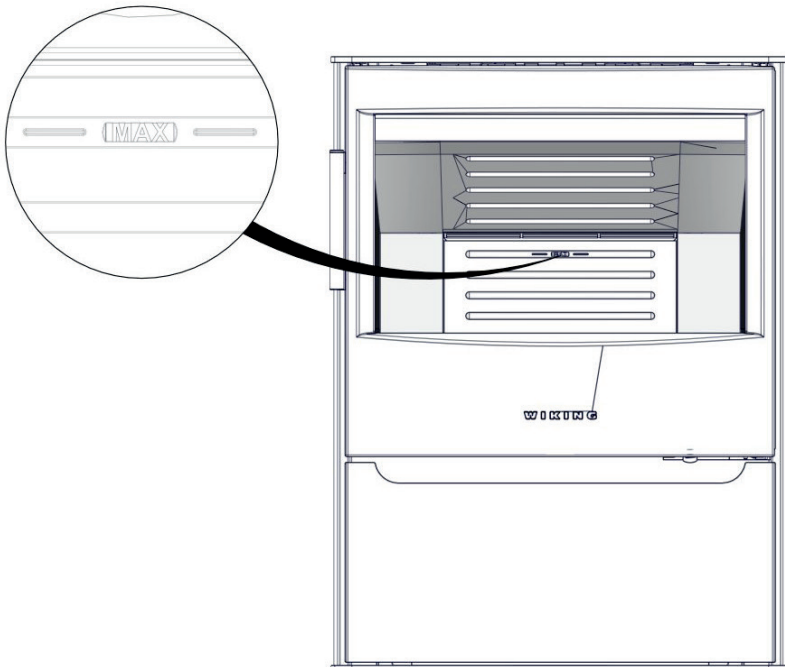
### IMPORTANT

The transport security tags must be removed on installation to allow access for sweeping

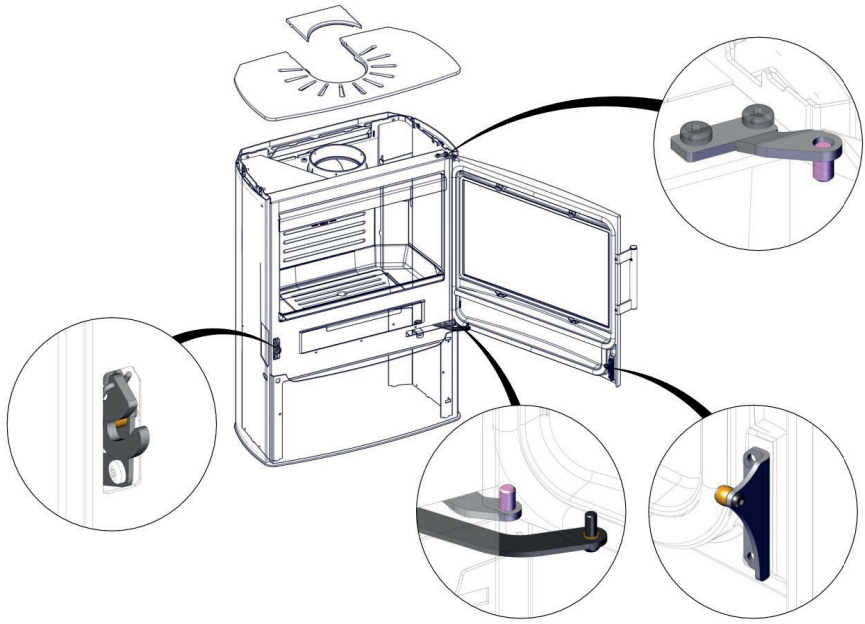
H



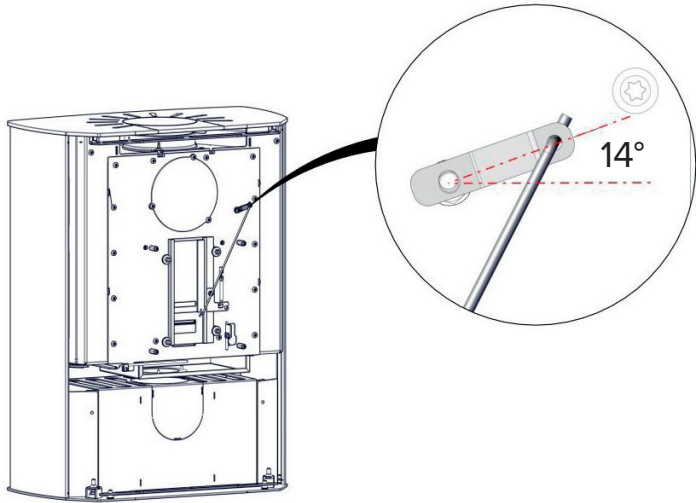
I



J



K





# INSTALLATION

---

## In general

Congratulations on your new WIKING woodburning stove. We are pleased that you have chosen a WIKING woodburning stove and confident that it will give you much pleasure. To ensure optimum operation and safety, we recommend that the installation should be carried out by an authorised WIKING retailer or a fitter recommended by the retailer. An overview of WIKING retailers can be found at [www.hwam.com](http://www.hwam.com) under "Retailer locations".

## Safety

The installation of your WIKING woodburning stove must always comply with all European, national and local building regulations. The installation must be carried out in accordance with the instructions in the installation and user manuals and then registered with the local authorities. After installation, the installing engineer must approve the installation before you can start using the woodburning stove. All WIKING woodburning stove packaging material must be handled in accordance with local waste management regulations.

## Room requirements

Always ensure a supply of fresh combustion air to the room where the stove is to be installed. The woodburning stove uses approx. 18-25 m<sup>3</sup> of air per hour. A window that can be opened or an adjustable air valve will be sufficient. It must not be possible to block the adjustable air valve/grate. In newly built/airtight dwellings, we recommend that a fresh air system should be installed for the direct supply of external air to the combustion. This fresh-air system may be bought separately.

Before installing the woodburning stove, you must ensure that the load-bearing capacity of the floor can withstand the weight of the stove and the chimney. The weight of the chimney should be calculated according to its dimensions and height.

## Technical measures and data

Test results from nominal test EN 13240	
Nominal heating effect	6.3 kW
Flue gas temperature EN 13240 measurement point	340°C
Flue gas temperature measured in the outlet socket	406°C
Exhaust gas flow	5.8 g/s
Efficiency	75 %
Annual efficiency (EcoDesign)	65 %
PM	35 mg/m <sup>3</sup>
OGC	112 mg/m <sup>3</sup>
NO <sub>2</sub>	83 mg/m <sup>3</sup>
CO at 13% O <sub>2</sub>	1115 mg/m <sup>3</sup>
CO at 13% O <sub>2</sub>	0.09 %
Energy efficiency index	99
Energy efficiency class	A

The Declaration of Performance (DoP) can be downloaded from our website, [www.hwam.com](http://www.hwam.com).

Model	Weight	Height	Width	Dept
WIKING Maxi 2	113 kg	59,2 cm	66,7 cm	36,3 cm
WIKING Maxi 2 on a plinth	114 kg	60,8 cm	66,7 cm	36,3 cm
WIKING Maxi 2 with low legs	114 kg	65,2 cm	66,7 cm	36,3 cm
WIKING Maxi 2 with high legs	116 kg	84,2 cm	70,4 cm	36,3 cm
WIKING Maxi 4 with wood store	130 kg	89,2 cm	66,7 cm	36,3 cm
WIKING Maxi 4 with lower door	133 kg	89,2 cm	66,7 cm	36,3 cm
WIKING Maxi 4 with wood store and natural stone cladding grey	222 kg	92,6cm	74,3 cm	36,3 cm
WIKING Maxi 4 with lower door and natural stone cladding grey	225 kg	92,6cm	74,3 cm	36,3 cm
WIKING Maxi 6 with wood store	140 kg	118,3 cm	66,7 cm	36,3 cm
WIKING Maxi 6 with lower door	143 kg	118,3 cm	66,7 cm	36,3 cm
WIKING Maxi 6 with wood store and natural stone cladding grey	232 kg	122,3 cm	74,3 cm	36,3 cm
WIKING Maxi 6 with lower door and natural stone cladding grey	235 kg	122,3 cm	74,3 cm	36,3 cm
WIKING Maxi 6 with wood store and natural stone cladding white	262 kg	122,3 cm	74,3 cm	36,3 cm
WIKING Maxi 6 with lower door and natural stone cladding white	265 kg	122,3 cm	74,3 cm	36,3 cm
Heat storage stones, WIKING Maxi	69 kg			

### Floor plate

European, national and local regulations must be observed in terms of the size and thickness of a non-combustible floor covering the floor in front of the combustion chamber opening. Ask your WIKING retailer for assistance. The combustion chamber opening is 55 cm wide.

### Distance to combustible materials

Min. distances - <u>uninsulated flue gas pipe (drawing A)</u> :	WIKING Maxi 2	WIKING Maxi 4 WIKING Maxi 6
To combustible wall, back	17.5 cm	17.5 cm
To combustible wall, side	17.5 cm	17.5 cm
To combustible wall, corner installation, 45°	10 cm	10 cm
To furnishings in front	125 cm	125 cm
To combustible wall, side in front of the stove	40 cm	40 cm
To combustible ceiling	73 cm	73 cm
To combustible floor underneath the stove	25 cm*	-

\* This distance requirement is observed when the wood-burning stove is fitted on high legs or mounted to a wall with the required distance below the wood-burning stove.

<b>Min. distances - <u>insulated flue gas pipe (drawing A)</u>:</b>	<b>WIKING Maxi 2</b>	<b>WIKING Maxi 4 WIKING Maxi 6</b>
To combustible wall, back	10 cm	10 cm
To combustible wall, side	17.5 cm	17.5 cm
To combustible wall, corner installation, 45°	7.5 cm	7.5 cm
To furnishings in front	125 cm	125 cm
To combustible wall, side in front of the stove	40 cm	40 cm
To combustible ceiling	73 cm	73 cm
To combustible floor under neith the stove	25 cm*	-

\* This distance requirement is observed when the wood-burning stove is fitted on high legs or mounted to a wall with the required distance below the wood-burning stove.

**Remember to pay attention to the applicable regulations concerning the required distance between the wall and smoke pipe.**

#### **IMPORTANT:**

Combustible materials may not be placed underneath WIKING Maxi 2. WIKING Maxi 2 with a plinth and WIKING Maxi 2 with low legs must not be placed on combustible floors. It is still considered a combustible floor even if an ember catching, a non-combustible floor plate is placed on top of the combustible floor. WIKING Maxi 2 with low legs and WIKING Maxi 2 with plinth must be installed on a BS non-combustible/constructional hearth. The non-combustible/constructional hearth must extend 650 mm in front of the stove to comply with the 100°C demand. If WIKING Maxi 2 is to be mounted on a wall, the wall must be constructed in non-combustible materials.

It is recommended to have 10 cm distance to the back and sides of a brick wall to facilitate the servicing of the WIKING® Automatic™.

Please note that not all glass parts are heat resistant. For this reason, a glass window/wall should sometimes be treated as a combustible wall, in which case we ask you to contact your local installing engineer or glass producer to ascertain at what distance the stove should be kept from glass.

#### **Changing the Smoke Outlet - WIKING Maxi 2 + WIKING Maxi 4 (drawing B)**

Proceed as follows to change the smoke outlet from top outlet to back outlet:

1. Lift the top plate off the stove.
2. Loosen the screws and remove the back plate.
3. Remove the flue collar on the top of the stove by unscrewing the three screws and lifting it off.
4. There is a cut-out for the flue duct pipe in the heatshield. Break off the plate within this cut-out to make a hole that the flue duct pipe can fit into.
5. There is a cut-out for the flue duct pipe in the back plate. Break off the plate within this cut-out to make a hole that the flue duct pipe can fit into.
6. Remove the cover plate on the back of the stove by unscrewing the three screws (Torx Bit no. 30) and lifting it off.
7. Fit the cover plate on top of the stove with the three screws.
8. Place the flue collar in the smoke outlet hole in the back of the stove and secure it with the three screws.
9. Rescrew the back plate on the stove.
10. Replace the top plate on the stove.

A top flue blanking plate can be bought as an accessory to cover the hole in the top plate of the stove if the stove is connected to a back outlet.

### **Changing the Smoke Outlet - WIKING Maxi 6 with heat store compartment (drawing C)**

Proceed as follows to change the smoke outlet from top outlet to rear outlet:

1. Lift the top plate off the stove.
2. Lift the front of the heat storage compartment up and forward, unhooking it from the four guide pins.
3. Loosen the screws and remove the top plate of the heat storage compartment.
4. Loosen the screws and remove the back plate.
5. Remove the flue collar on the top of the stove by unscrewing the three screws and lifting it off.
6. There is a cut-out for the flue duct pipe in the heat shield. Break off the plate within this cut-out to make a hole that the flue duct pipe can fit into.
7. There is a cut-out for the flue duct pipe in the back plate. Break off the plate within this cut-out to make a hole that the flue duct pipe can fit into.
8. Remove the cover plate on the back of the stove by unscrewing the three screws (Torx Bit no. 30) and lifting it off.
9. Fit the cover plate on top of the stove with the three screws.
10. Place the flue collar in the smoke outlet hole in the back of the stove and secure it with the three screws.
11. Rescrew the back plate on the stove.
12. Put the top plate back in the heat storage compartment.
13. Hook the front onto the four guide pins.
14. Replace the top plate on the stove.

A top flue blanking plate can be bought as an accessory to cover the hole in the top plate of the stove if the stove is connected to a back outlet.

### **Changing the Smoke Outlet - WIKING Maxi 6 with warming shelf (drawing D)**

Proceed as follows to change the smoke outlet from top outlet to rear outlet:

1. Lift the top plate off the stove.
2. Loosen the screws and remove arming shelf.
3. Loosen the screws and remove the back plate
4. Remove the flue collar on the top of the stove by unscrewing the three screws and lifting it off.
5. There is a cut-out for the flue duct pipe in the heatshield. Break off the plate within this cut-out to make a hole that the flue duct pipe can fit into.
6. There is a cut-out for the flue duct pipe in the back plate. Break off the plate within this cut-out to make a hole that the flue duct pipe can fit into.
7. Remove the cover plate on the back of the stove by unscrewing the three screws (Torx Bit no. 30) and lifting it off.
8. Fit the cover plate on top of the stove with the three screws.
9. Place the flue collar in the smoke outlet hole in the back of the stove and secure it with the three screws.
10. Rescrew the back plate on the stove.
11. Put the warming shelf back on the stove.
12. Replace the top plate on the stove.

A top flue blanking plate can be bought as an accessory to cover the hole in the top plate of the stove if the stove is connected to a back outlet.

### **The adjustable feet**

WIKING Maxi is delivered with four adjustable feet that can be fitted, as needed. Open the lower door. Loosen the screws in each side of the vertical cover plate in the back of the chamber. Lift up the cover plate, tilt the lower part forward and pull the cover plate out. Mount and adjust the adjustable feet screws in accordance with the separate instructions, 2 in each side, to the desired height. Hook the cover plate back in place and tighten the two screws.

### **Requirements for chimney and flue duct**

The height of the chimney must ensure sufficient draught and prevent any smoke nuisance. As a general rule, satisfactory draught conditions are achieved if the chimney is 4 m above the stove and at least 80 cm above the ridge. If the chimney is placed on a side wall, the top of the chimney should always be higher than the ridge or the tallest point of the roof. Always be aware of any national and/or local regulations applying to thatched roofs and the location of the chimneys.

The woodburning stove requires a minimum draught of 12 Pa (measured at EN 13240 measurement point). If measured just above the smoke flue socket, the chimney draught must be 18-20 Pa.

The chimney must have a minimum diameter of 125 mm or 150 mm. The chimney may need to be provided with an easily accessible cleaning door, if the flue system requires one. The chimney and flue duct must be of flue class T400 and be CE marked. Furthermore, it must have obtained the classification of G in soot fire testing. The required distance to combustible material must be complied with in accordance with the brand label. Ask your WIKING retailer for further information.

### **Chimney**

The chimney is the “motor” of the stove and it is crucial for the functioning of the woodburning stove. The chimney draught provides a partial vacuum in the stove. This vacuum removes the smoke from the stove, draws air through the dampers for the so-called glass air wash rinse which keeps the glass free of soot, and sucks in air through both the primary and secondary dampers for the combustion.

The chimney draught is created by the differences in temperature inside and outside the chimney. The higher the temperature within the chimney, the greater the draught. It is crucial, therefore, that the chimney is warmed up properly before closing the damper and limiting the combustion in the stove (a brick chimney takes longer to warm up than a steel chimney). On days where the weather and wind conditions create insufficient draught inside the chimney, it is even more important to warm up the chimney as quickly as possible. The trick is to quickly get some flames going. Split the wood into extra fine pieces, use an extra firelighter, etc.

If the stove has not been used for a longer period, it is important to check that the flue system is not blocked.

## **Draught measurement**

When installing the stove or when troubleshooting, it may be necessary to check the draught of the stove to ensure that the stove works together with the chimney and that the correct amount of air is being added. Behind the chimney outlet of the stove there is a hole with a diameter of 7.5 mm (drawing E) through which the draught can be measured. During normal operation, an M8 bolt is screwed into the hole and this should always be present.

## **Connection to chimney**

All the stoves have both back and top smoke outlet that can be connected to an approved steel chimney on top or directly out at the rear to a chimney.

Make sure that the chimney is tight and that no false draught is caused around either the cover plate, in connection with a covered smoke outlet, or the cleanout door and pipe connections. Please note that bent and/or horizontal smoke pipes will reduce the effect of the chimney draught.

## **Fitting the loose parts**

Before the stove is installed, you must ensure that all loose parts are fitted correctly.

**Please note:** The combustion chamber is covered with plates made of vermiculite, which is a heat-insulating material. These plates ensure that the optimal combustion temperature is quickly reached, and they must therefore remain inside in the wood-burning stove.

Vertical cross-section of the stoves (drawing F+G)

1. The steel baffle plate (1) is hung from two hooks and equipped with two pins (7) that serve as transport security. Remember to remove the two pins before you start using the stove.
2. The vermiculite smoke deflector (2) plate must rest on vermiculite side plates (3) and must be pushed as far back as possible into the combustion chamber.
3. The rear plate (4) must be pushed all the way back in the combustion chamber and pushed together with the vermiculite side plates (3).
4. The cast iron bottom plate and grate (5) should lie flat in the bottom of the combustion chamber.

The steel smoke deflector and the vermiculite smoke deflector ensure that the passage of smoke through the stove is as long as possible, so that the flue gases have more time to emit their warmth within the stove and the surrounding area. In this way you get more warmth from the wood you add to the stove, as the warm smoke is not simply sent out through the chimney.

## **Chimney sweeping**

To prevent the risk of chimney fires, the chimney must be cleaned every year. The flue duct and the smoke chamber above the baffle plate must be cleaned together with the chimney. If the chimney is too tall to be cleaned from above, it must be equipped with a soot door.

In case of a chimney fire, close all dampers and call the firefighters. Before any further use, have the wood-burning stove and chimney checked by the chimney sweep and a qualified heating engineer.

## **The data plate and the serial number**

On WIKING Maxi 2, WIKING Maxi 4 with wood store and WIKING Maxi 6 with wood store the data plate is placed on the back of the stove.

On the WIKING Maxi 4 with lower door and WIKING Maxi 6 with lower door the data plate and the serial number are placed on the inside of the lower door.

Locate the unique serial number of your wood-burning stove and make a note of it below so that it is always easily accessible. The serial number must always be provided when contacting your WIKING retailer.

Serial number (starts with "G6"):

## FIRING MANUAL - WOOD

---

### Your first heating session

When you light the wood-burning stove for the first time, you must do it carefully as all materials must be heated up gradually. The lacquer will be fully hardened after the wood-burning stove has been lit up for the first time. The door must be opened carefully; otherwise, there is a risk that the seals will stick to the lacquer. In addition, the lacquer may initially give off an unpleasant odour, so make sure that the room is well ventilated.

**Warning:** The accompanying glove may wear the surface paint off. Be careful not to touch the painted surfaces the first two to three times you light the fire. Even after the paint has hardened, repeated use of the glove may wear the surface paint off.

### Tips about fuel

#### Approved fuel types

The wood-burning stove is EU approved for burning wood logs with a moisture content of 12-18% exclusively. Stoking a fire with wet wood results in soot, environmental problems, and a less efficient fuel economy.

#### Recommended wood types

All types of wood, for instance birch, beech, oak, elm, ash, conifers, and fruit trees can be used as fuel in your insert. The great difference is not in the fuel value, but in the weight of the wood types per cubic meter. Beech weighs more per m<sup>3</sup> of wood than common spruce, for instance. This is why more common spruce is required, in terms of volume, to obtain an amount of heat similar to that of beech. Heavy types of wood such as ash, beech, oak and elm are generally not that easy to light. In addition, they burn more slowly and give off more embers. Light types of wood such as birch, maple, spruce and pine are more easily lit. They burn faster and give off less ember. You may therefore take advantage of the light types of wood for lighting and use the heavier types of wood to ensure a longer burning time.

#### Banned fuel types

It is not allowed to stoke a fire with the following: printed matter, plywood, plastic, rubber, fluid fuels, and rubbish such as milk cartons, lacquered wood or impregnated wood and fossil fuels. The reason that you should not use any of the above is that during combustion they develop substances that are health hazardous and harmful to the environment. These substances could also damage your wood burning stove and chimney, rendering the products warranty void.

## Storage of wood

A moisture content of 12-18% is achieved by storing recently felled wood outdoors under a lean-to for at least one year, preferably 2 years. Wood stored indoors has a tendency to become too dry and combust too quickly. However, it might be advantageous to store fuel for lighting a fire indoors for a few days prior to use.

It is recommended to purchase a wood moisture meter to continuously check that the firewood has the correct moisture content before using it for burning. Split the wood and measure the moisture content of the split surfaces.

## Recommended dimensions

The dimensions of the fuel are important to good combustion. The dimensions should be as follows:

Fuel type	Length in cm	Diameter in cm
Wood for kindling a fire (finely chopped)	14-28	2-5
Chopped wood	28-50	5-9

## Using the air control lever

To achieve good combustion, which results in better heating efficiency, it is important to add the right amount of air to the fire. Air is regulated with a user-friendly, one-lever system that is located under the stove door; see drawing H.

When lighting a cold stove and stoking with new wood, the air control lever must be pushed to the extreme left to give the fire maximum air supply. When the fire is burning well, the air supply can be gradually reduced by moving the regulating lever to the right.

The air supply can be reduced further by moving the air control lever to the extreme right. This setting should only be used in the case of overheating, if there is a fire in the chimney or when the fire in the stove has been allowed to go out completely in connection with cleaning, for instance.

## Special fire lighting guide for stoves with stone and tile cladding

Stone are natural products which need to adjust to temperature changes. We recommend following the procedure below:

### 1. First stoking



Move the air control lever to the extreme left to fully open the air supply to the combustion chamber. Place two pieces of wood (5-9 cm in diameter) horizontally in the bottom of the combustion compartment (corresponding to 1-2 kg). Place 5-8 pieces of kindling randomly on top. Place 2 firelighters between the top layer of kindling. Light up the firelighters and close the stove door. When the fire has gone out, open the door and leave it open while the stove cools to room temperature.

### 2. Second stoking

Move the air control lever to the extreme left to fully open the air supply to the combustion chamber. Place two pieces of wood (5-8 cm in diameter) horizontally in the bottom of the combustion compartment (corresponding to 1-2 kg). Place 5-8 pieces of kindling randomly on top. Place 2 firelighters between the top layer of kindling. Light up the firelighters and close the stove door. When there are no more visible yellow flames, and a right ember is there, you can fire again. The layer of embers is suitable when the pieces of wood begin to disintegrate and



the bottom of the stove is covered by embers. Carefully open the door to prevent smoke and embers from escaping. Place 2 pieces of new firewood (up to 1 kg) with a diameter of approx. 5-9 cm in the combustion chamber. When the kindling is burning well, move the air control lever to middle position. Allow the fire to burn and let the stove cool to room temperature before stoking again.

### 3. Third stoking

Repeat the procedure for the second stoking. Allow the fire to burn and let the stove cool to room temperature after the fire has gone out.

#### Restoking

Follow the general instructions, see the sections “Lighting the stove” and “Stoking”.

#### Lighting the stove

A successful combustion process requires that the wood is lit in the right way. A cold stove and a cold chimney challenge the combustion process. Be careful to light the stove correctly with suitably dry wood, using kindling and lighting the fire in the top layers of kindling. It is important to quickly achieve a high flue gas temperature.



Move the air control lever to the extreme left to fully open the air supply to the combustion chamber. Place two pieces of wood (5-8 cm in diameter) horizontally in the bottom of the combustion compartment (corresponding to 1-2 kg). Place 5-8 pieces of kindling randomly on top. Place 2 firelighters between the top layer of kindling. Light up the fire-lighters and close the stove door. When the kindling is burning well, move the air control lever to middle position.

**Important!** Only open the door when lighting the stove, refueling it and cleaning it. Never leave a stove before there are lasting flames in the wood after lightning!

#### Stoking

When there are no more visible yellow flames, and the embers are there, you can reload again. The layer of embers are ready for reloading when the pieces of wood begin to disintegrate, and the bottom of the combustion chamber is covered by embers. Carefully open the door to prevent smoke and embers from escaping. Place 2 pieces of chopped firewood (approx. 1 kg) on top of the embers. The firewood should not be stacked higher than up to the “MAX” mark in the vermiculite rear plate (drawing I). Close the door again.

Do not regulate the stove again as the WIKING® Automatic™ will do this, but the temperature can be adjusted with the air control lever. Moving it to the right will reduce the rate of combustion and make the stove burn slower. Moving it to the left will increase the rate of combustion and make the stove burn faster. Wait until the layer of embers is suitably low before stoking again.

**During combustion, the outer surfaces of the stove will become hot, and due care must therefore be shown.**

#### When burning is complete

When the stove is not in use, turn the air control lever all the way to the right.

#### Cleaning the glass

We recommend wiping the glass after a fire. This is best done using a paper towel in vertical movements (up and down).

# FIRING IN GENERAL

---

## **Rapid or fierce heat**

Rapid or fierce heat is obtained by burning many small pieces of wood.

## **Maximum amounts of fuel:**

The maximum allowed amount of fuel per hour is:

Wood: 2.74 kg

If these limits are exceeded, the stove will no longer be covered by the factory guarantee, and it may also become damaged due to excessive heat, the glass may turn white, for example. The stove has been approved for intermittent use.

## **Typical re-firing interval**

Typical re-firing interval at nominal performance

Wood: 49 min (1.96 kg)

## **Prolonged burning time**

You will obtain the longest burning time if you reduce the air supply to an absolute minimum when the flames are dying, as this will prolong the ember phase. When adding new firewood, always remember to check that the wood has caught fire properly. If not, the air supply must be increased by pushing the air control lever to the left.

How to achieve the best combustion

- **Use clean and dry wood**  
Wet wood results in inefficient combustion, plenty of smoke, and soot. Furthermore, the heat will dry the wood, not heat up the room.
- **The fire should only be stoked with a little wood at a time**  
You achieve the best combustion by starting up a fire often and using only a little wood. If you use too much firewood, it will take some time before the temperature reaches a level where you achieve good combustion.
- **Make sure there is the right amount of air**  
You should also make sure that there is plenty of air – especially in the beginning - so the temperature in the wood burning stove climbs quickly. In this way the gases and particles released during the combustion will be consumed by the fire. Otherwise, they build up soot in the chimney (constituting a chimney fire risk) or will be released in a non-combusted state into the environment. The wrong amount of air supply creates inefficient combustion and a modest effect.
- **Don't slumber the fire during night time**  
We advise against adding firewood to your stove and reducing the air supply at night in an attempt to still have some embers left in the morning. If you do so, large amounts of hazardous smoke will be emitted, and your chimney will be exposed to unnecessarily large amounts of soot with the risk of a chimney fire.

# MAINTENANCE

---

## Cleaning

Any maintenance of the stove should only be carried out when it is cold. Daily maintenance is limited to vacuum cleaning the stove externally, using the soft brush attachment. You can also dust the stove using a dry, soft cloth or brush. But remember, only when the stove is cold. Do not use water, spirit or any other kind of cleaner, as this will damage the lacquer.

Once a year, the stove should be thoroughly serviced. The combustion chamber should be cleared of ashes and soot. The hinges and the closing hook must be greased with liquid copper grease spray (heat-resistant up to 1100°C). Lift the door approx. ½ cm and spray copper grease onto the hinge leaf (drawing J).

## Service inspection

Your stove should be given a thorough, preventive inspection once every two years. This includes:

- Thorough cleaning of the stove.
- Checking the spring in the WIKING® Automatic™. Replace if necessary.
- Checking gaskets. Replace gaskets if they are not intact or are no longer soft.
- Checking and/or replacing vermiculite insulation material.
- Checking the combustion chamber bottom/grate.
- Use copper grease for hinges and locking hooks.

All service checks must be performed by an authorised fitter. Use only original spare parts.

## Inside cleaning

Before chimney sweeping can be performed, the air control lever must be set to its minimum position to prevent soot and ash from entering the WIKING® Automatic™. Unless the transport security tags (2 split pins) have not already been removed, start by removing the split pins (drawing G). First remove ash and soot from the combustion chamber. In drawing F you can see which plates are found inside the combustion chamber. Carefully remove the vermiculite plates, one after the other, in the following sequence:

1. Smoke deflector
2. Left corner plate
3. Right corner plate
4. Left side plate
5. Right side plate
6. Back plate

After cleaning, carefully put the vermiculite plates back in place in the reverse order starting with the rear plate.

## Ashes

It is easiest to empty the ash pan by pulling a plastic bag over it, turning it upside down and then carefully removing it from the bag. Ashes are disposed of via the domestic waste collection.

**Please note that there may be embers in the ashes for up to 24 hours after the fire has gone out!**

## Insulation

The efficient, but porous insulation of the combustion chamber may, in time, be worn and damaged. Cracks in the insulation are irrelevant to the efficiency of the stove. A crack in the back plate can cause secondary air to become incorrectly distributed in the combustion chamber, and it should therefore be replaced. However, it should be replaced if there are

actual holes due to parts of the lining falling off or when, due to wear and tear, it has been reduced to less than half its original thickness.

### **WIKING® Automatic™ (drawing K)**

The spring in the automatism should be checked at least once every second year.

**WIKING Maxi 2/WIKING Maxi 4:** Lift the top plate off the stove. Loosen the screws and remove the back plate. Remove the heatshield.

On a cold stove, check the starting point of the arm. The starting point on a cold stove is about 14° above horizontal. It should feel easy going and bouncy when you push it, no matter if the stove is cold or hot. With rising or falling temperatures, it must not move quickly. The damper plates must be dry and clean and slide together unhindered. Remount the heatshield, the rear plate and the top plate.

**WIKING Maxi 6 with heat storage compartment:** Lift the top plate off the stove. Lift the front (1) of the heat storage compartment up and forward, unhooking it from the four guide pins. Loosen the screws and remove the top plate of the heat storage compartment. Loosen the screws and remove the back plate. Remove the heatshield. On a cold stove, check the starting point of the arm. The starting point on a cold stove is about 14° above horizontal. It should feel easy going and bouncy when you push it, no matter if the stove is cold or hot. With rising or falling temperatures, it must not move quickly. The damper plates must be dry and clean and slide together unhindered. Remount the heatshield, back plate, the top plate of the heat storage compartment, the front of the heat storage compartment and the top plate.

**WIKING Maxi 6 with warming shelf:** Lift the top plate off the stove. Loosen the screws and remove the warming shelf. Loosen the screws and remove the back plate. Remove the heatshield. On a cold stove, check the starting point of the arm. The starting point on a cold stove is about 14° above horizontal. It should feel easy going and bouncy when you push it, no matter if the stove is cold or hot. With rising or falling temperatures, it must not move quickly. The damper plates must be dry and clean and slide together unhindered. Remount heatshield, the back plate, the warming shelf and the top plate.

### **Door/glass**

A sooty glass door can easily be cleaned with a piece of moist kitchen roll dipped in ash. Go about it in vertical movements (up and down). Follow up with a dry piece of kitchen roll. You should also ensure that air gaps in the door frame are free of ash and soot particles.

### **Seals**

Check frequently to ensure that seals in the door and ash pan are intact and not brittle. Failing this, they should be replaced. Use original seals only.

### **Surface**

Usually, it is not necessary to treat the painted surfaces of the wood-burning stove. Any damage to the paint may, however, be remedied with spray paint, which can be bought from your stove retailer.

### **Guarantee**

The guarantee does not cover damage due to insufficient maintenance!

# DECLARATION OF PERFORMANCE

---

The DoP can be downloaded from our website via the following links:  
[www.hwam.com/dop/Maxi](http://www.hwam.com/dop/Maxi)

# TROUBLE SHOOTING

If you experience that your wood-burning stove is not functioning optimally, consult this table to find some usual problems that may arise and how to solve them. If you cannot solve them and/or other problems occur, please contact your maintenance man or wood-burning stove retailer.

Problem	Possible Cause	Try the Following
I cannot make a sufficient fire in the stove.	Incorrect lighting.	Further information: See the section on lighting and firing the stove.
	Poor chimney draught.	Ensure that the flue duct or chimney is not blocked. Ensure that the chimney height is correct in relation to its surroundings.
The glass pane is covered in soot.	The wood is too moist.	Only fire with firewood that has dried for at least 12 months beneath a covered shed and with a water content of 12-18%.
	A seal in the door is loose.	The seals should be soft and flexible. If they are not, replace them. New seals can be purchased from your WIKING retailer.
	Insufficient supply of secondary air to the pane-flushing system.	Move the air control lever further to the left.
	The temperature inside the stove is too low.	Put more wood in the stove and move the air control lever further to the left.
Smoke enters the room when I open the door.	The damper in the chimney is closed.	Open the damper.
	Poor chimney draft.	Ensure that the smoke pipe or chimney is not blocked. Ensure that the chimney height is correct in relation to its surroundings.
	The firewood is in flames.	Never open the door if the firewood is in flames.
The fire-proof materials in the combustion chamber are blackened after firing.	You have got the stove hot enough, i.e., there is not enough air or firewood.	Move the air control lever further to the left. Moreover, using a larger quantity of wood might be needed.
The stove is making "clicking" sounds during heating up and cooling down	Due to temperature differences to which material is exposed to.	This is normal and does not indicate any defects on the wood-burning stove.
Combustion is uncontrollable.	A seal in the door to the combustion chamber is loose.	The seals should be soft and flexible. If they are not, replace them. New seals can be purchased from your WIKING retailer.
	The door is not completely sealed.	Close the door completely. If it cannot close completely, it must be replaced with an original spare part.

**Product information on solid fuel local space heaters  
according to Commission regulation (EU) 2015/1185**



<b>Model</b>	WIKING Maxi 2, WIKING Maxi 4, WIKING Maxi 6
<b>Direct heat output [kW]</b>	6,3
<b>Indirect heating functionality</b>	No
<b>Indirect heat output [kW]</b>	-
<b>Type of heat output/room temperature control</b>	Two or more manual stages, no temperature control

Space heating performance at nominal heat output		
Fuel	Preferred fuel	Seasonal space heating energy efficiency [%]
Wood logs with moisture content 12-18 %	Yes	65
<b>Emissions</b>	<b>mg/m<sup>3</sup> (13% O<sub>2</sub>)</b>	
Particulate matter (PM)	35	
Organic gaseous compounds (OGC)	112	
Carbon monoxide (CO)	1115	
Nitrogen oxides (NO <sub>x</sub> )	83	

Characteristics when operating with the preferred fuel only	
Nominal heat output [kW]	6,3
Electric power consumption nominal heat output [kW]	-
Electric power consumption minimum heat output [kW]	-
Electric power consumption standby mode [kW]	-
Useful efficiency at nominal heat output [%]	75
Energy efficiency index	99
Energy efficiency class	A

**Specific Precautions during Assembling, Installing & Maintenance:**

See installation instructions for more information

**Product End-of-Life/Recycling:**

To dispose of the stove after the product life has expired, please observe the following information

- Dispose of the items correctly i.e. separate the parts to be disposed of in material groups
- Always dispose of items in a way that is as sustainable as possible and that is in line with the current environmental protection, reprocessing/recycling and disposal technology

Serial nr.



## Warranty service

It is important that you record your retailers name, address and telephone number on this section, as he is responsible for any adjustment which may be required during the warranty period.

\_\_\_\_\_

Model type

\_\_\_\_\_

Date of purchase

\_\_\_\_\_

Retailer

\_\_\_\_\_

Address

\_\_\_\_\_

Tel.