

# WIKING

---



**WIKING Mini 2**



**WIKING Mini 4**

**EN**

Installation and users manual

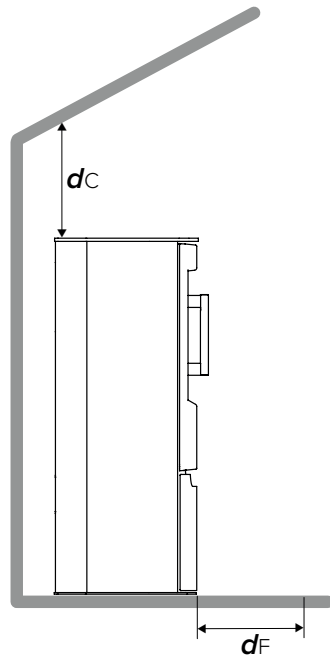
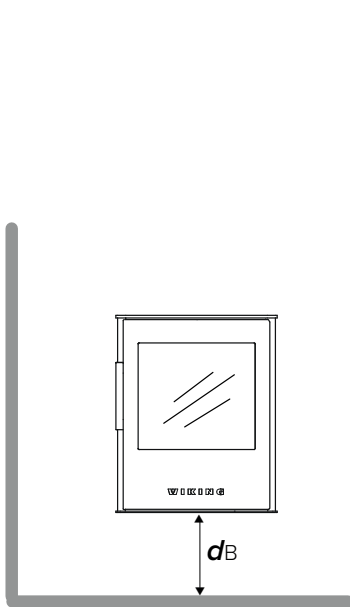
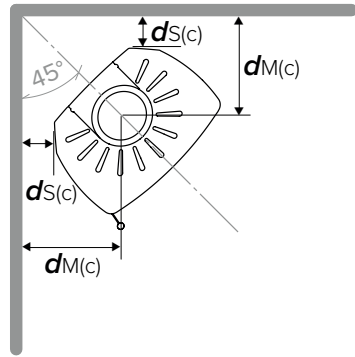
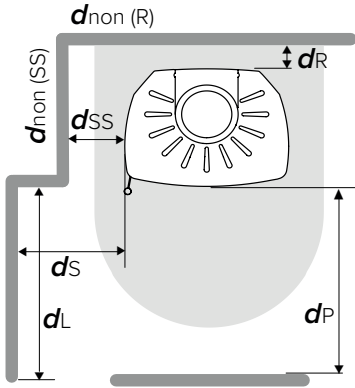


# Table of contents

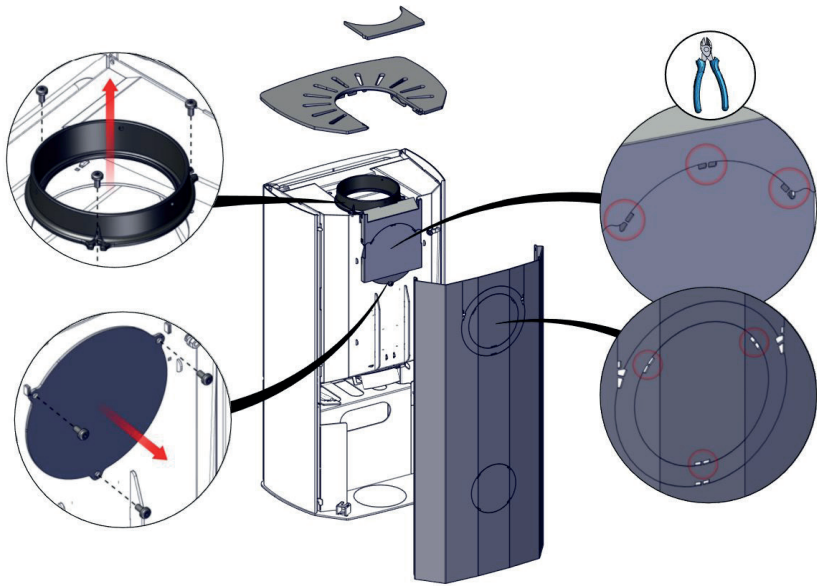
<b>Illustrations</b>	<b>3</b>
<b>Installation manual</b>	<b>10</b>
In general	10
Room requirements	10
Floor plate	10
Technical specifications and data	11
Measurement and Weight	11
Distance to combustible and non combustible materials	12
Changing the smoke outlet	13
The adjustable feet	13
Fitting the loose parts	13
Draught measurement	14
The data plate and the serial number	14
Requirements for chimney and flue duct	14
Connection to chimney	14
Chimney	14
Shared flue system	15
Chimney sweeping	15
<b>Fuel</b>	<b>16</b>
Approved fuel type	16
Banned fuel types	16
Liquid fuels	16
<b>Operation</b>	<b>17</b>
Your first heating session	17
Using the air control lever	17
Lighting the stove	17
Stoking	17
When burning is complete	18
<b>Firing In General</b>	<b>19</b>
Maximum amounts of fuel	19
Typical re-firing interval	19
Insufficient firing	19
How to achieve the best combustion	19
<b>Cleaning &amp; Maintenance</b>	<b>20</b>
Cleaning	20
Maintenance	20
Emptying the ash pan	20
Vermiculite	20
WIKING® Automatic™	20
Door/glass	21
Seals	21
Surface	21
Guarantee	21
Market surveillance	21
<b>Trouble Shooting</b>	<b>22</b>
<b>Disposal</b>	<b>22</b>
<b>Declaration of Performance, Conformity &amp; EcoDesign</b>	<b>22</b>

# Illustrations

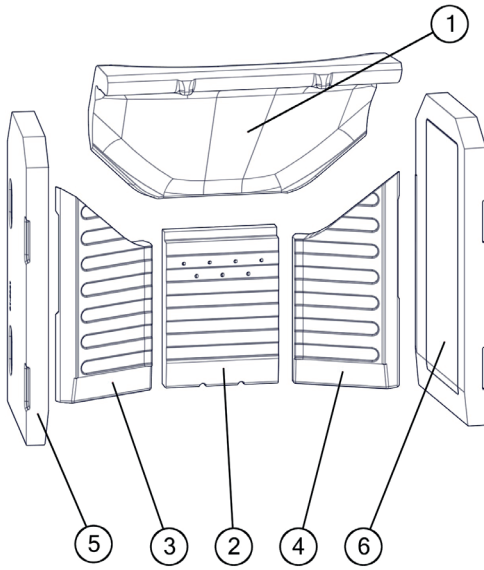
A.



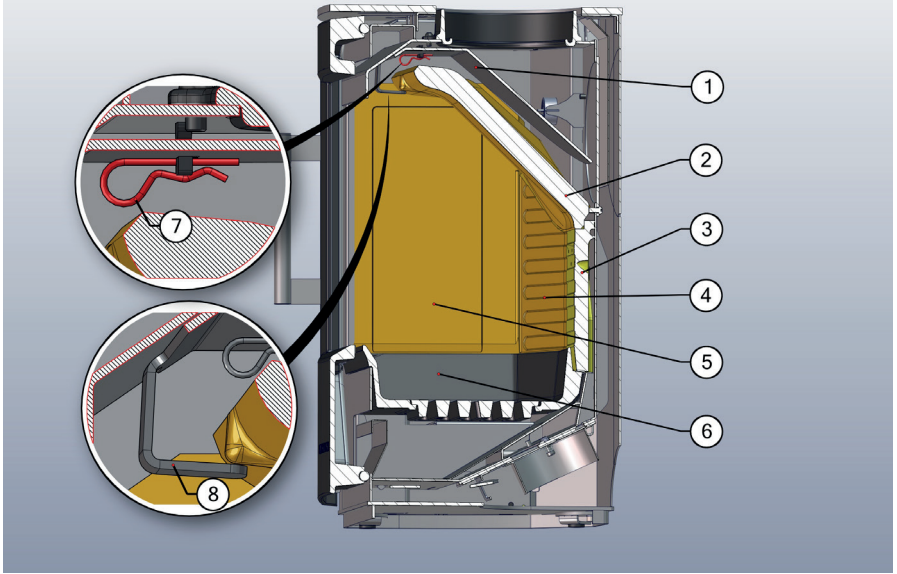
B.



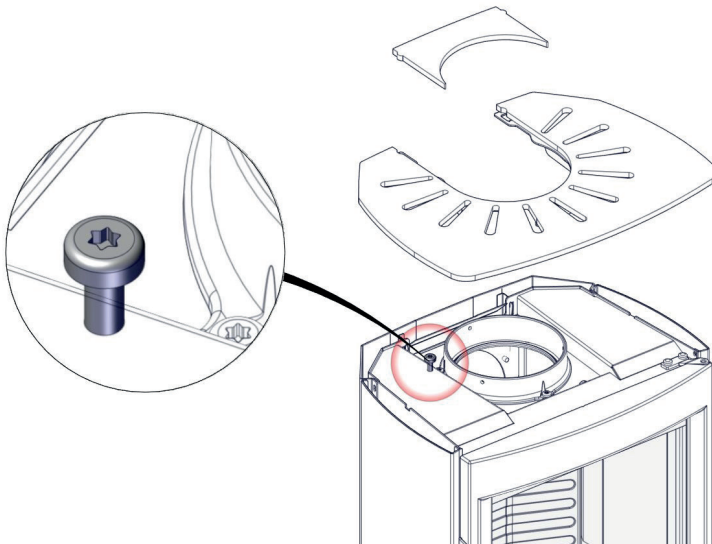
C



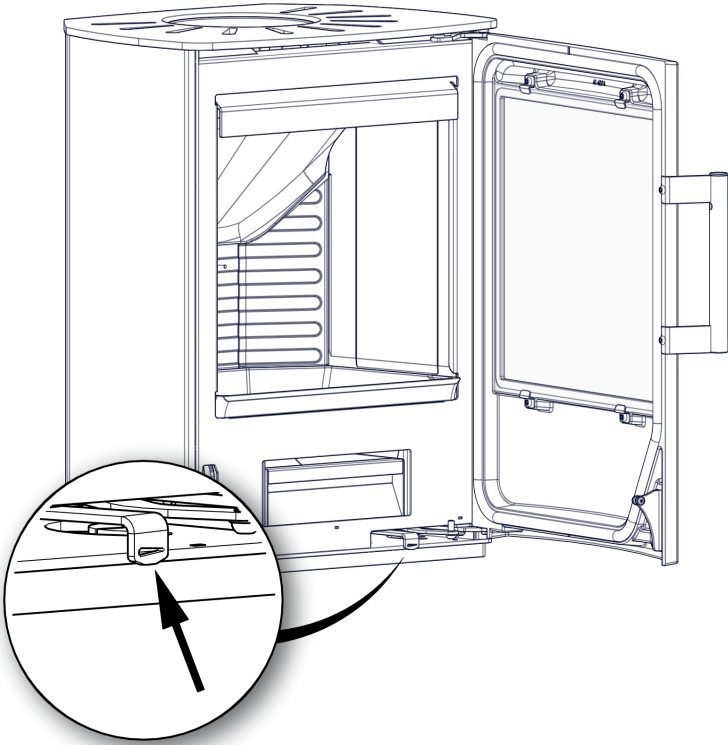
D.



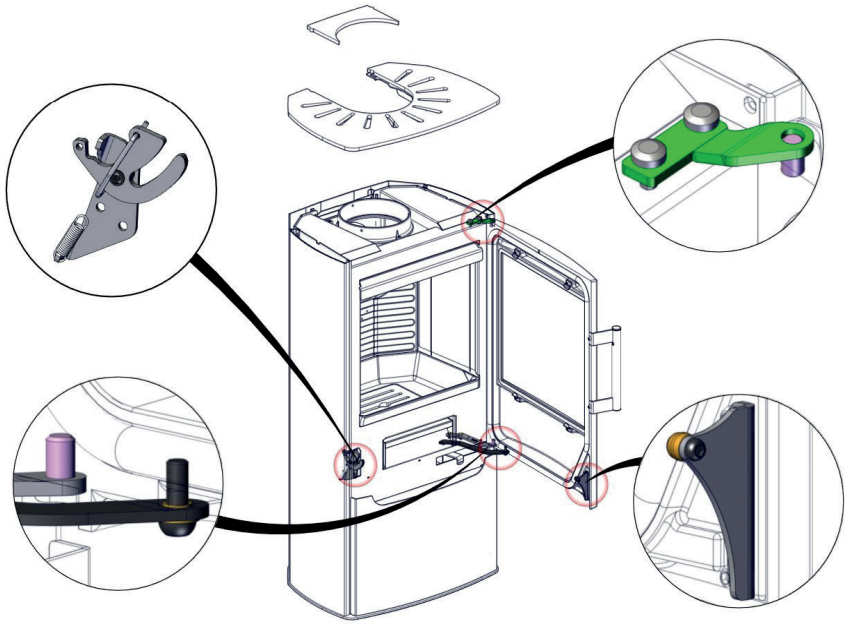
E.



F.

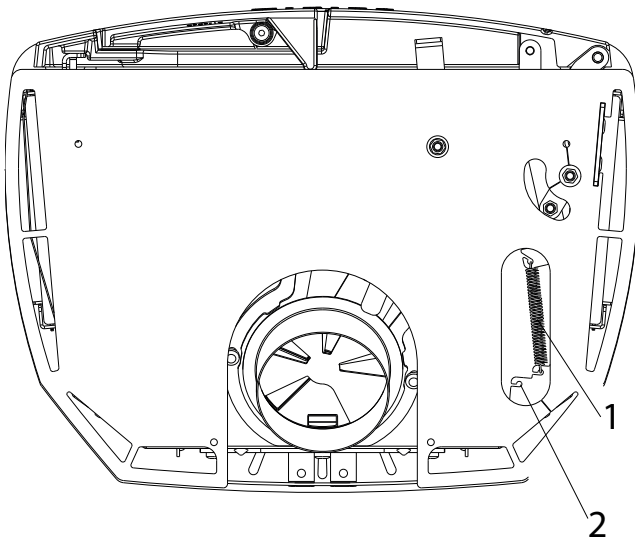
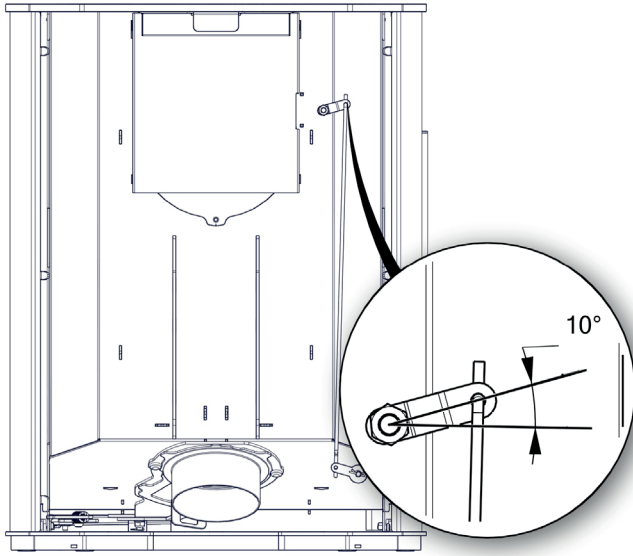


G.





H.



# Installation manual

---

## In general

Congratulations on your new WIKING woodburning stove. We are pleased that you have chosen a WIKING woodburning stove and confident that it will give you much pleasure.

To ensure optimum operation and safety, we recommend that the installation should be carried out by an authorised WIKING retailer or a fitter recommended by the retailer. An overview of WIKING retailers can be found at [www.hwam.com](http://www.hwam.com) under "Retailer locations".

Before installation, it is important to read **the installation and User's manual carefully and follow the instructions and guidances**. This installation and User's manual apply to WIKING wood-burning stoves in the Mini series with WIKING® Automatic™, classified according to EN16510-1 type B.

The installation of your WIKING woodburning stove must always comply with all European, national and local building regulations and subsequently registered with the local authorities. Upon installation, the chimney sweep must approve the installation before you can start using the woodburning stove. All WIKING woodburning stove packaging material must be handled in accordance with local waste management regulations.

## Room requirements

Always ensure a supply of fresh combustion air to the room where the stove is to be installed. The woodburning stove uses approx. 15 m<sup>3</sup> of air per hour. Extraction fans installed in the same room as the wood-burning stove can cause problems. A window that can be opened or an adjustable air valve will be sufficient. It must not be possible to block the adjustable air valve/grate. In newly built/airtight dwellings, we recommend that a fresh air system should be installed for the direct supply of external air to the combustion. This fresh-air system may be bought separately.


Before installing the wood-burning stove, you must ensure that the load-bearing capacity of the floor can withstand the weight of the stove and the chimney. The weight of the chimney should be calculated according to its dimensions and height.

Ensure that no combustible objects (e.g. furniture) are placed closer to the wood-burning stove than the distances specified in the tables on the following pages (fire hazard).

## Floor plate

European, national and local regulations must be observed in terms of the size and thickness of a non-combustible floor covering the floor in front of the combustion chamber opening. Ask your WIKING retailer for assistance. The combustion chamber opening is 55.0 cm wide.

## Technical specifications and data

Parameter	Explanation	Value
$P_{nom}$	Nominal heat output	4,5 kW
$P_{SHnom}$	Nominal heat output	4,5 kW
$\eta_{nom}$	Efficiency at nominal heat output	83 %
$\eta_s$	Seasonal space heating efficiency	73 %
$EEl$	Energy efficiency index	110
$CO_{nom} (13 \% O_2)$	CO emission at 13 % oxygen content at nominal heat output	1050 mg/m <sup>3</sup>
$NO_{xnom} (13 \% O_2)$	NOx emission at 13 % oxygen content at nominal heat output	97 mg/m <sup>3</sup>
$OGC_{nom} (13 \% O_2)$	Hydrocarbon emission at 13 % oxygen content at nominal heat output	113 mg/m <sup>3</sup>
$.PM_{nom} (13 \% O_2)$	Particulate matter emission at 13 % oxygen content at nominal heat output	14 mg/m <sup>3</sup>
$p_{nom}$	Minimum flue draught at nominal heat output	12 Pa
$s$	Material type and thickness of protective insulation	25 mm
$T_{snom}$	Flue gas outlet temperature at nominal heat output	282°C
<b>T-Klasse</b>	Chimney designation	T400
$\phi_{fg, nom}$	Flue gas mass flow at nominal heat output	3,9 g/s
$V_h$	Standing air loss	Not tested
<b>CON or INT</b>	Capable of continuous operation (CON) or intermittent operation (INT)	INT
$d_{out}$	Diameter of the flue gas outlet	Ø125 mm or Ø150 mm
<b>L, H, W</b>	Overall dimensions of the appliance (length, height, width)	See table
$m$	Weight of the woodburning stove	See table
$m_{chim}$	Maximum load of a chimney	120 kg
	Read and follow the Installation and User Manual	

## Measurement and Weight

Model	Weight	Height	Width	Dept
WIKING Mini 2	71,2 kg	592 mm	468 mm	356 mm
WIKING Mini 2 with base	72,1 kg	608 mm	468 mm	356 mm
WIKING Mini 2 with low legs	72,0 kg	652 mm	468 mm	356 mm
WIKING Mini 2 with high legs	73,5 kg	832 mm	513 mm	371 mm
WIKING Mini 4 with wood store	84,0 kg	892 mm	468 mm	356 mm
WIKING Mini 4 with lower door	86,0 kg	892 mm	468 mm	356 mm

## Distance to combustible and non combustible materials

Min. distances - <u>uninsulated</u> flue gas pipe (illustration A)		WIKING Mini 2	WIKING Mini 4
$d_R$	To combustible wall, rear	125 mm	125 mm
$d_s$	To combustible side, in front of the stove	325 mm	325 mm
$d_{SS}$	To combustible wall, side	325 mm	325 mm
$d_C$	To combustible ceiling	750 mm	750 mm
$d_P$	To combustible materials in front of the stove	1000 mm	1000 mm
$d_F$	To combustible floor in front of stove	400 mm*	0 mm
$d_L$	To combustible sidewall in the radiation area	-	-
$d_B$	To combustible floor under the stove	250 mm*	0 mm
$d_{non(R)}$	To non-combustible wall, rear, recommended	100 mm	100 mm
$d_{non(SS)}$	To non-combustible wall, side, recommended	100 mm	100 mm
$d_{S(C)}$	Corner installation, 45°, from wall to stove	75 mm	75 mm
$d_{M(C)}$	Corner installation, 45°, from wall to center flue outlet	274 mm	274 mm

\*This distance requirement is met when the wood-burning stove is mounted on high legs or the wall with the required distance below the wood-burning stove.

\*\*This distance requirement only applies if the distance requirement 'dB' is not met.

Min. distances - <u>insulated</u> flue gas pipe (illustration A)		WIKING Mini 2	WIKING Mini 4
$d_R$	To combustible wall, rear	75 mm	75 mm
$d_s$	To combustible side, in front of the stove	325 mm	325 mm
$d_{SS}$	To combustible wall, side	325 mm	325 mm
$d_C$	To combustible ceiling	750 mm	750 mm
$d_P$	To combustible materials in front of the stove	1000 mm	1000 mm
$d_F$	To combustible floor in front of stove	400 mm*	0 mm
$d_L$	To combustible sidewall in the radiation area	-	-
$d_B$	To combustible floor under the stove	250 mm*	0 mm
$d_{non(R)}$	To non-combustible wall, rear, recommended	100 mm	100 mm
$d_{non(SS)}$	To non-combustible wall, side, recommended	100 mm	100 mm
$d_{S(C)}$	Corner installation, 45°, from wall to stove	50 mm	50 mm
$d_{M(C)}$	Corner installation, 45°, from wall to center flue outlet	249 mm	249 mm

\*This distance requirement is met when the wood-burning stove is mounted on high legs or the wall with the required distance below the wood-burning stove.

\*\*This distance requirement only applies if the distance requirement 'dB' is not met.

**Remember to pay attention to the applicable regulations concerning the required distance between the wall and smoke pipe.**

### IMPORTANT:

- Combustible materials may not be placed under the WIKING Mini 2.
- WIKING Mini 2 with a base and WIKING Mini 2 with short legs must not be mounted on combustible floors. It is still considered a combustible floor even if an ember catching, non-combustible floor plate is placed on top of the combustible floor.
- A non-combustible structure under WIKING Mini 2 with a base and low legs must extend at least 400 mm in front of the stove.
- If WIKING Mini 2 is to be mounted on a wall, the wall must be constructed in non-combustible materials.

Please be aware that not all glass parts are heat-resistant. For this reason, a glass wall should sometimes be treated as a flammable wall, in which case we ask you to contact your local chimney sweep or glass producer to hear at what distance the stove should be kept from glass.

### Changing the smoke outlet

If changing the smoke outlet from top outlet to back outlet, proceed as follow (illustration B):

1. Lift the top plate off the stove.
2. Remove the smoke ring on the top of the stove by unscrewing the three screws and lifting it off.
3. There is a cut-out for the flue duct in the back plate. Break off the plate within this cut-out to make a hole that the flue duct can fit into.
4. Remove the cover plate on the back of the stove by unscrewing the three screws (Torx Bit no. 30) and lifting it off.
5. Install the cover plate on top of the stove with the three screws.
6. Place the smoke ring in the smoke outlet hole in the back of the stove and secure it with the three screws.
7. Replace the top plate on the stove.

A top cover can be bought as an accessory to cover the hole in the top plate of the stove if the stove is connected to a rear smoke outlet.

A top cover can be bought as an accessory to cover the hole in the top plate of the stove if the stove is connected to a back smoke outlet.

### The adjustable feet

WIKING Mini 4 is delivered with four adjustable feet that can be fitted, as needed. Open the lower door. Loosen the screws in each side of the vertical cover plate in the back of the chamber. Lift up the cover plate, tilt the lower part forward and pull the cover plate out. Mount and adjust the adjustable feet screws in accordance with the instructions in the QR code, 2 in each side, to the desired height. Hook the cover plate back in place and tighten the two screws.



### Fitting the loose parts

Before the stove is installed, you must ensure that all loose parts are fitted correctly.

**Please note:** The combustion chamber is covered with plates made of vermiculite, which is a heat-insulating material. These plates ensure that the optimal combustion temperature is quickly reached, and they must therefore remain inside in the wood-burning stove.

Vertical cross-section of the stoves (illustration C):

1. The steel baffle plate (1) is hung from two hooks and equipped with two pins (7) that serve as protection during transportation. Remember to remove the two pins before you start using the stove.
2. The vermiculite smoke deflector (2) plate must rest on the two fittings (8) at the top and front of the combustion chamber and must be pushed as far back as possible into the combustion chamber.
3. The rear plate (3) must be pushed all the way back in the combustion chamber.
4. The cast iron bottom plate (6) should lie flat in the bottom of the combustion chamber.

## **Draught measurement**

When installing the stove or when troubleshooting, it may be necessary to check the draught of the stove to ensure that the stove works together with the chimney and that the correct amount of air is being added. Behind the chimney outlet of the stove there is a hole with a diameter of 7.5 mm (illustration E) through which the draught can be measured. During normal operation, an M8 bolt is screwed into the hole and this should always be present.

## **The data plate and the serial number**

On WIKING Mini 2 and WIKING Mini 4 with wood store the data plate is placed on the back of the stove.

On the WIKING Mini 4 with lower door the data plate and the serial number are placed on the inside of the lower door.

Locate the unique serial number of your wood-burning stove and make a note of it below so that it is always easily accessible. The serial number must always be provided when contacting your WIKING retailer.

## **Requirements for chimney and flue duct**

The height of the chimney must ensure sufficient draught and prevent any smoke nuisance. As a general rule, satisfactory draught conditions are achieved if the chimney is 4 m above the stove and at least 80 cm above the ridge.

It is important that the applicable standards for the chimney are complied with (EN 15287-1:2023 and EN 15287-2:2023). The function of the chimney must also, in accordance with EN 13384-2:2015+A1:2019, depend on the individual situation at the installation site.

If the chimney is placed on a side wall, the top of the chimney should always be higher than the ridge or the tallest point of the roof.

The woodburning stove requires a minimum draught of 12 Pa. If measured just above the smoke flue socket, the chimney draught must be 18-20 Pa.

The chimney must have a minimum diameter of 125 mm or 150 mm. The chimney may need to be provided with an easily accessible cleaning door, if the flue system requires one. The chimney and flue duct must be of flue class T400 and be CE marked. Furthermore, it must have obtained the classification of G in soot fire testing. The required distance to combustible material must be complied with in accordance with the data plate. Ask your WIKING retailer for further information.

## **Connection to chimney**

All the stoves have both back and top smoke outlet that can be connected to an approved steel chimney on top or directly out at the rear to a chimney.

Make sure that the chimney is tight and that no false draught is caused around either the cover plate, in connection with a covered smoke outlet, or the cleanout door and pipe connections. Please note that bent and/or horizontal smoke pipes will reduce the effect of the chimney draught.

## **Chimney**

The chimney is the “motor” of the stove and it is crucial for the functioning of the woodburning stove. The chimney draught provides a partial vacuum in the stove. This vacuum removes the smoke from the stove, draws air through the dampers for the so-called glass air wash rinse which keeps the glass free of soot, and sucks in air through both the primary and secondary dampers for the combustion.

The chimney draught is created by the differences in temperature inside and outside the chimney. The higher the temperature within the chimney, the greater the draught. It is crucial, therefore, that the chimney

is warmed up properly before closing the damper and limiting the combustion in the stove (a brick chimney takes longer to warm up than a steel chimney). On days where the weather and wind conditions create insufficient draught inside the chimney, it is even more important to warm up the chimney as quickly as possible. The trick is to quickly get some flames going. Split the wood into extra fine pieces, use an extra firelighter, etc.

If the stove has not been used for a longer period, it is important to check that the flue system is not blocked.

### **Shared flue system**

It is possible to connect several stoves to the same chimney. However, the applicable regulations must first be checked.

### **Chimney sweeping**

To prevent the risk of chimney fires, the chimney must be cleaned every year. The flue duct and the smoke chamber above the baffle plate must be cleaned together with the chimney. If the chimney is too tall to be cleaned from above, it must be equipped with a soot door.

In case of a chimney fire, close all dampers and call the firefighters. Before any further use, have the wood-burning stove and chimney checked by the chimney sweep and a qualified heating engineer.

# Fuel

---

## Approved fuel type

The wood-burning stove is EU approved (EN-15610) for burning wood logs with a moisture content of 12-18% exclusively. Stoking a fire with wet wood results in soot, environmental problems, and a less efficient fuel economy.

It is recommended to purchase a wood moisture meter to continuously check that the firewood has the correct moisture content before using it for burning. Split the wood and measure the moisture content of the split surfaces.

## Recommended dimensions

The dimensions of the fuel are important to good combustion. The dimensions should be as follows:

Fuel type	Length in cm	Diameter in cm
Wood for kindling a fire (finely chopped)	16-28	2-4
Chopped wood	16-28	6-9

## Banned fuel types

It is not allowed to stoke a fire with the following:

- Printed matter
- Plywood
- Plastic
- Rubber
- Fluid fuels
- Waste such as milk cartons
- Lacquered wood or impregnated wood
- Fossil fuels

The reason that you should not use any of the above is that during combustion they develop substances that are health hazardous and harmful to the environment. These substances could also damage your wood burning stove and chimney, rendering the products warranty void.

## Liquid fuels

Never use petrol, petrol-like lamp oils, paraffin, lighter fluid, ethyl alcohol or similar liquids to light or relight the stove. All such liquids must be kept away from the stove when it is in use.



# Operation

---

## Your first heating session

When you light the wood-burning stove for the first time, you must do it carefully as all materials must be heated up gradually. The lacquer will be fully hardened after the wood-burning stove has been lit up for the first time. The door must be opened carefully; otherwise, there is a risk that the seals will stick to the lacquer. In addition, the lacquer may initially give off an unpleasant odour, so make sure that the room is well ventilated.

**Warning:** The accompanying glove may wear the surface paint off. Be careful not to touch the painted surfaces the first two to three times you light the fire. Even after the paint has hardened, repeated use of the glove may wear the surface paint off.

## Using the air control lever

To achieve good combustion, which results in better heating efficiency, it is important to add the right amount of air to the fire. Air is regulated with a user-friendly, one-lever system that is located under the stove door; see illustration F.

When lighting a cold stove and when fuelling with new wood, the regulating lever must be pushed to the extreme left to give the fire maximum air supply. When the fire is burning well, the air supply can be gradually reduced by moving the regulating lever to the right.

The fire will die out if the regulating lever is moved to the extreme right. This setting should only be used in the case of overheating, if there is a fire in the chimney and when the fire in the stove has been allowed to go out completely in connection with cleaning, for instance.

## Lighting the stove

A successful combustion process requires that the wood is lit in the right way. A cold stove and a cold chimney challenge the combustion process. Be careful to make a good lighting with suitably dry wood, using kindling and lighting the fire in the top layers of kindling. It is important to achieve a high flue gas temperature quickly.



Move the air control lever to the extreme left to fully open the air supply to the combustion chamber. Place two pieces of wood (4-7 cm in diameter) horizontally in the bottom of the combustion compartment (corresponding to 0.75-1 kg). Place 6-10 pieces of kindling (a total of about 1 kg) randomly on top. Place 2 firelighters between the top layer of kindling. Light up the fire-lighters and close the stove door.

When all of the wood has caught fire, the air supply can be gradually reduced by moving the air control lever to the right until uniform, steady combustion is achieved.

**Important!** The ash pit must not be opened when lighting up. It must always be closed when the stove is in use. Otherwise the WIKING® Automatic™ does not function. The door should only be opened when lighting up, when restoking, and when cleaning the stove. Never leave a stove before there are lasting flames in the wood after firing!

## Stoking

When there are no more visible yellow flames, and a right ember is there, you can fire again. The layer of embers is suitable when the pieces of wood begin to disintegrate and the bottom of the stove is covered by embers. Carefully open the door to prevent smoke and embers from escaping. Make sure that there is an opening in the ember layer down to the grate (preferably in the middle of the grate), so that air from the grate can easily pass through the embers

to the wood. Place 2 pieces of chopped firewood (approx. 1-2 kg) on top of the embers. The firewood should not be stacked higher than the holes in the vermiculite back plate. If the firewood is stacked up past the holes, the air from the holes in the back plate will act as the “initiator”, which is not the purpose of the air. Close the door again and fully open the air supply by moving the air control lever to the extreme left. When the wood has caught fire properly, the air supply can be gradually reduced by moving the air control lever to the right until uniform, steady combustion is achieved. The further to the right the air control lever is moved, the less heat the stove will give off. But it is important not to regulate the air supply below a level at which there are still visible flames and steady combustion.

**During combustion, the exterior surfaces of the wood-burning stove will become hot, and necessary caution must be exercised. Use the glove provided if necessary.**

**When burning is complete**

When the stove is not in use, turn the air control knob all the way to the left.

We recommend wiping the glass after a fire. This is best done using a paper towel.

# Firing In General

---

## Maximum amounts of fuel

The maximum allowed amount of fuel per hour is:

Wood: 1.85 kg

If these limits are exceeded, the stove will no longer be covered by the factory guarantee, and it may also become damaged due to excessive heat, the glass may turn white, for example. The stove has been approved for intermittent use.

## Typical re-firing interval

Typical re-firing interval at nominal performance

Wood: 46 min (1.05 kg)

## Insufficient firing

If the fireproof materials in the combustion chamber are blackened after a fire, then the stove is polluting, and the automatic air flow regulation system is malfunctioning. Therefore, more air must be supplied by turning the air control knob clockwise (to the right). It may also be necessary to burn more wood.

## How to achieve the best combustion

- **Use clean and dry wood**

Wet wood results in inefficient combustion, plenty of smoke, and soot. Furthermore, the heat will dry the wood, not heat up the room.

- **The fire should only be stoked with a little wood at a time**

You achieve the best combustion by starting up a fire often and using only a little wood. If you use too much firewood, it will take some time before the temperature reaches a level where you achieve good combustion.

- **Make sure there is the right amount of air**

You should also make sure that there is plenty of air – especially in the beginning - so the temperature in the wood burning stove climbs quickly. In this way the gases and particles released during the combustion will be consumed by the fire. Otherwise, they build up soot in the chimney (constituting a chimney fire risk) or will be released in a non-combusted state into the environment. The wrong amount of air supply creates inefficient combustion and a modest effect.

- **Don't slumber the fire during night time**

We advise against adding firewood to your stove and reducing the air supply at night in an attempt to still have some embers left in the morning. If you do so, large amounts of hazardous smoke will be emitted, and your chimney will be exposed to unnecessarily large amounts of soot with the risk of a chimney fire.

# Cleaning & Maintenance

---

## Cleaning

Any maintenance of the stove should only be carried out when it is cold. Daily maintenance is limited to vacuum cleaning the stove externally, using the soft brush attachment. You can also dust the stove using a dry, soft cloth or brush. But remember, only when the stove is cold. Do not use water, spirit or any other kind of cleaner, as this will damage the lacquer.

Once a year, the stove should be thoroughly serviced. The combustion chamber should be cleared of ashes and soot. The hinges and the closing hook must be greased with liquid copper grease spray (heat-resistant up to 1100°C). Lift the door approx. ½ cm and spray copper grease onto the hinge leaf (illustration G).

Before chimney sweeping can be performed, the air control knob must be set to its minimum position to prevent soot and ash from entering the WIKING® Automatic™. Unless the safety fittings for transportation have not already been removed, twist the safety fittings for transportation (illustration D) off the two hooks by using pliers or a screwdriver. The smoke shelf and baffle plate is to be removed from the stove before cleaning (illustration C).

1. Smoke deflector (top plate)
2. Rear plate
3. Left corner plate
4. Right corner plate
5. Left side plate
6. Right side plate

After cleaning, carefully put the vermiculite plates back in place in the reverse order starting with the rear plate.

## Maintenance

Your stove should be given a thorough, preventive inspection once every two years. This includes:

- Thorough cleaning of the stove.
- Check the spring in the WIKING® Automatic™ unit and replace if necessary.
- Checking gaskets. Replace gaskets if they are not intact or have softened.
- Checking of heat insulating material and possibly replacement.
- Checking of the bottom/shaking grate.
- Lubricating the hinges and the locking hook with cobber grease (illustration G).

## Emptying the ash pan

It is easiest to empty the ash pan by pulling a plastic bag over it, turning it upside down and then carefully removing it from the bag. Ashes are disposed of via the domestic waste collection.

**Please note that there may be embers in the ashes for up to 24 hours after the fire has gone out!**

## Vermiculite

The efficient, but porous insulation of the combustion chamber may, in time, be worn and damaged. Cracks in the insulation are irrelevant to the efficiency of the stove. A crack in the back plate can cause secondary air to become incorrectly distributed in the combustion chamber, and it should therefore be replaced. However, it should be replaced if there are actual holes due to parts of the lining falling off or when, due to wear and tear, it has been reduced to less than half its original thickness.

## WIKING® Automatic™

The spring in the WIKING® Automatic™ should be checked at least once every second year. This is done as follows (illustration H):

Lift the top plate off the stove. Remove the two screws (1) in the top of both side plates. Remove both side plates. Remove the rear plate of the stove (2). On a cold stove, the starting point of the feeler is controlled. The starting point on a cold stove is about 10° above horizontal. It should feel easy going and bouncy when you push it, no matter if the stove is cold or hot. Mount the rear plate, the side plates and the top plate again.

### **Door/glass**

A sooty glass door can easily be cleaned with a piece of moist kitchen roll dipped in ash. Go about it in vertical movements (up and down). Follow up with a dry piece of kitchen roll. You should also ensure that air gaps in the door frame are free of ash and soot particles.

### **Seals**

Check frequently to ensure that seals in the door and ash pan are intact and not brittle. Failing this, they should be replaced. Use original seals only.

### **Surface**

treatment to the painted surfaces of the wood-burning stove can be necessary, if the surfaces are touched frequently, e.g. the door handle and the lower door. Damage to the paintwork may occur if the stove is touched while it is hot. However, this can be repaired with spray paint, which can be purchased from the WIKING retailer where the stove was purchased.

### **Guarantee**

The guarantee does not cover damage due to insufficient maintenance!

### **Market surveillance**

In the nominal test, one ignition, two pre-burns and four test burns were performed. Birch wood was used.

The stove was lit with 1996 g at maximum air setting. For the first pre-burn, 1533 g was burned – three pieces of firewood with a length of 25 cm. During ignition, the air control is set to maximum air. As flames appear in the firewood, the air is reduced. First, the control lever is opened 20 mm from the closed position and a little later to 14 mm from the closed position.

For the second firing and the four test firings, two pieces of firewood weighing a total of 1016 g and measuring 16 cm in length are used. The firewood is placed with the ends facing the door, with a small distance between the pieces of firewood and a small distance to the vermiculite back plate.

When firing, the air control is set to maximum air. It is slowly adjusted downwards during the first 3 minutes after firing until the control lever is 14 mm from the closed position. After firing, the door is open for 15-30 seconds.

A test burn is completed according to weight. The base layer has a starting weight of 210 g. The average increase in the base layer from one burn to the next is 10 g. The average CO<sub>2</sub> during firing is 5.7%.

# Trouble Shooting

---

## Blackened glass

- The wood is too damp. Only use wood stored for at least 12 months under cover and with a moisture level not exceeding 12-18% RH.
- Faulty seal in door. Fit new seal.

## Smoke in the room when opening door

- The grate in the chimney may be closed. Open the grate.
- Insufficient chimney draft. See section on chimney or contact chimney sweep.
- Soot door leaking or dislodged. Replace or refit.
- Never open the door when there are still flames on the wood.

## Uncontrollable combustion

- Faulty seal in door or ash pan. Fit new seal.
- If there is an excessive chimney draft, it may be necessary to close the air control knob. Close the air control knob when the stove is not in use.
- If the steel plates in the combustion chamber develop scales or become deformed, this is due to excessive heat. Stop using the stove and contact the retailer.

At interruptions that you cannot yourself rectify, you should contact the retailer.

# Disposal

---

At the end of its service life, the wood-burning stove must be sorted as follows:

**Combustion chamber, door, combustion chamber base, smoke outlet, air control, and top plate** - sorted as iron

**Ceramic glass** - must not be mixed with ordinary glass

**Gaskets on glass, door and ash pan** – sorted as landfill, as they contain fibreglass

**Vermiculite** – sorted as landfill

**Floor plates** – tempered glass – sorted as glass

# Declaration of Performance, Conformity & EcoDesign

---

The DoP can be downloaded from our website via the following links:

[www.hwam.com/dop/EN16510/Mini](http://www.hwam.com/dop/EN16510/Mini)

Scan the QR code to find the Declaration of Conformity (DoC).



**Product information on solid fuel local space heaters  
according to Commission regulation (EU) 2015/1185**

<b>Model</b>	WIKING Mini 2, WIKING Mini 4
<b>Direct heat output [kW]</b>	4,5
<b>Indirect heating functionality</b>	No
<b>Indirect heat output [kW]</b>	-
<b>Type of heat output/room temperature control</b>	Two or more manual stages, no temperature control

Space heating performance at nominal heat output		
Fuel	Preferred fuel	Seasonal space heating energy efficiency [%]
Wood logs with moisture content 12-18 %	Yes	73
<b>Emissions</b>	<b>mg/m<sup>3</sup> (13% O<sub>2</sub>)</b>	
Particulate matter (PM)	14	
Organic gaseous compounds (OGC)	113	
Carbon monoxide (CO)	1050	
Nitrogen oxides (NO <sub>x</sub> )	97	

Characteristics when operating with the preferred fuel only	
Nominal heat output [kW]	4,5
Electric power consumption nominal heat output [kW]	-
Electric power consumption minimum heat output [kW]	-
Electric power consumption standby mode [kW]	-
Useful efficiency at nominal heat output [%]	83
Energy efficiency index	110
Energy efficiency class	A+

**Specific Precautions during Assembling, Installing & Maintenance:**

See installation instructions for more information

**Product End-of-Life/Recycling:**

To dispose of the stove after the product life has expired, please observe the following information

- Dispose of the items correctly i.e. separate the parts to be disposed of in material groups
- Always dispose of items in a way that is as sustainable as possible and that is in line with the current environmental

