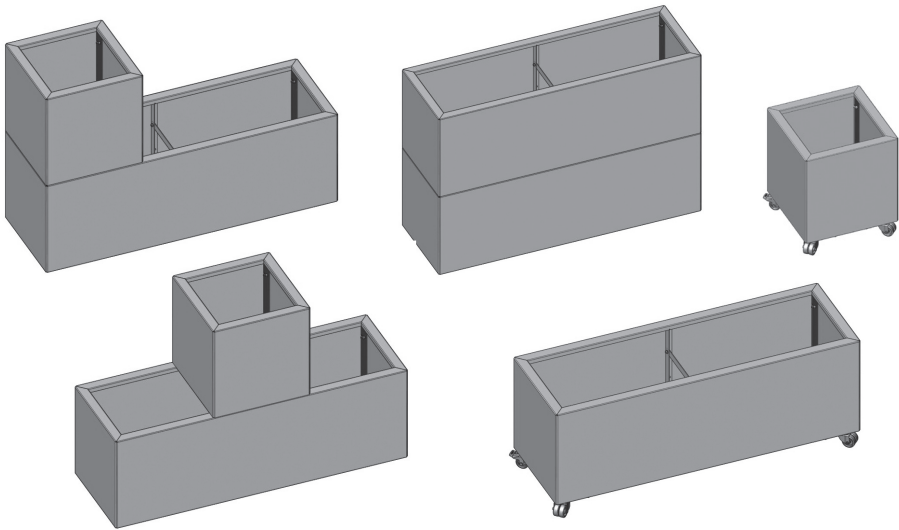


hwam^{flame}
Outdoor



MULTIFLEX
RAISED GARDEN BEDS
AND PLANTER BOXES

USER'S MANUAL



CONGRATULATIONS ON YOUR NEW HWAM OUTDOOR PRODUCT

HWAM Outdoor consists, among other things, of a series of products in Corten steel — designed to create a beautiful out-of-doors room. Functionality, timeless design and good Danish quality go hand in hand.

The reddish-brown Corten steel provides a modern and cosy outdoor environment, the rusty red shades complementing the natural green colours and the cold stone colours perfectly.

Get more out of outdoor living. Enjoy the warmth and the fascinating view of the flames. Providing the setting for cosy get-togethers with family and friends, the outdoor fire pit FUEGO and the wood-burning stove CUBIS lend a wonderful warm atmosphere to your out-of-doors room. Organise or divide your out-of-doors room with the MULTI-FLEX series, which can be combined in a myriad of ways.

Find inspiration and see the complete range at www.hwam.com/hwam-outdoor.

Have fun with your new HWAM Outdoor product.

MULTIFLEX

RAISED GARDEN BEDS AND PLANTER BOXES

MULTIFLEX raised garden beds and planter boxes — stylish and functional arrangement of your plants in the garden or on the terrace.

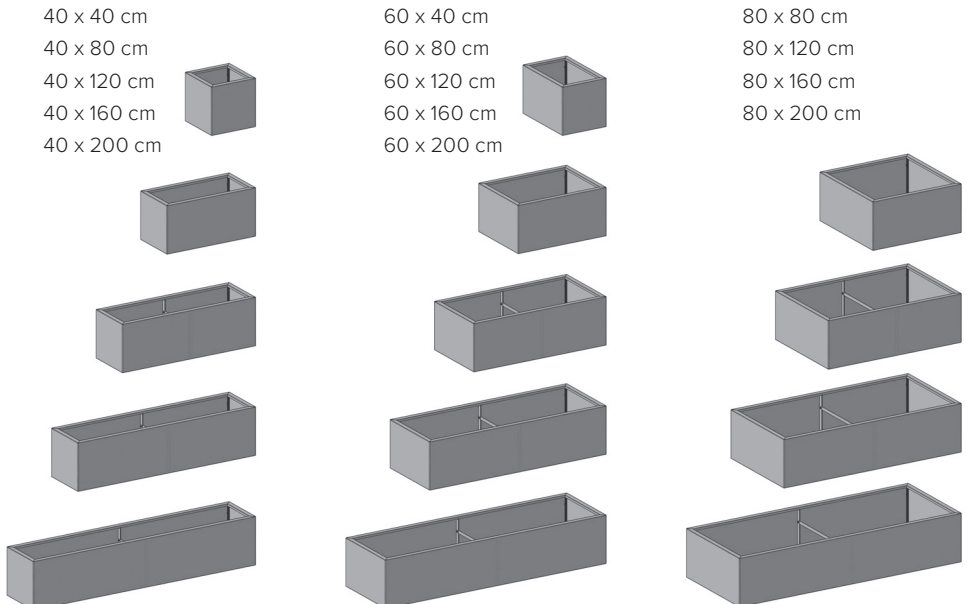
MULTIFLEX raised garden beds and planter boxes offer endless possibilities for exciting decoration of the outdoor space. Stand-alone or in combination. 2 on top of each other, or a small one on top of a bigger one. Up against a wall, or as a free-standing room divider. For a more flexible solution, opt for planter boxes on wheels.

With lawn edges around the raised garden beds (without a bottom plate) and planter boxes (with a bottom plate), it is easy to mow the lawn.

ACCESSORIES

- Assembly brackets for 2 planter boxes / raised garden beds on top of each other
- Lawn edges for raised garden beds / planter boxes
- Planter box wheels

AVAILABLE SIZES



CORTEN STEEL

Corten steel is characterised by a rusty surface. A special alloy of copper, nickel and chromium has been added to the steel. This means that the surface quickly forms a layer of rust. At the same time, the corrosion time of the steel underneath the surface is strengthened and prolonged by up to 8 times.

The rusty red colour will build and change over time depending on the weather. In dry weather, it will be dark and dull; in rainy weather, shiny brownish.

TIPS TO QUICKLY BRING OUT THE RUSTY RED COLOUR

Your new HWAM Outdoor product has not yet developed its rusty patina when you buy it. It will take approx. 14 days of rain for the surface to rust. Depending on the weather, the patination process may take longer.

If you are a little impatient and would like to speed up the rusting process, you can do the following:

- Wash all surfaces in plain soapy water to remove any oil residues from when the product was produced.
- Let the surfaces dry.
- Then you can spray the surfaces with salt water (1/20) or vinegar, or apply it with a cloth.

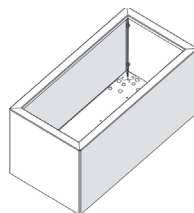
The acid in the vinegar accelerates the rusting process of the washed-down sides and shortens the process to approx. 3-4 days.

We do not recommend using strong detergents, as this may shorten the lifetime of the product.

MAINTENANCE

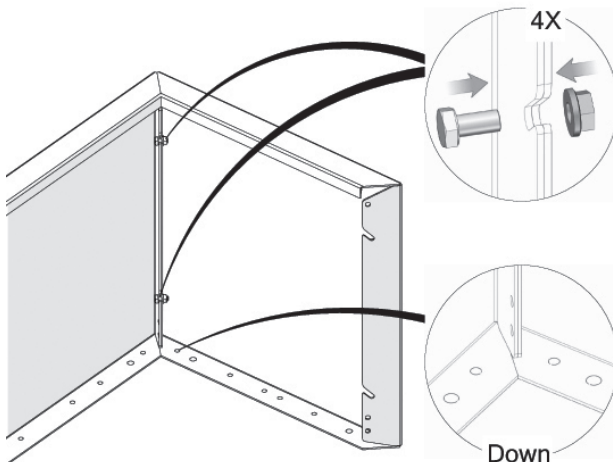
Please note that rust may rub off on and discolour the ground; it may also rub off when you touch it. Rust can be removed from concrete tiles with oxalic acid (100 g of oxalic acid to 1 litre of water). Rub at the stain and rinse with clean water. Rust stains on surfaces are also bleached by the sun.

ASSEMBLY INSTRUCTIONS



RAISED GARDEN BEDS AND PLANTER BOXES

If your raised garden beds/
planter boxes are delivered
unassembled, you must start
by assembling the sides.



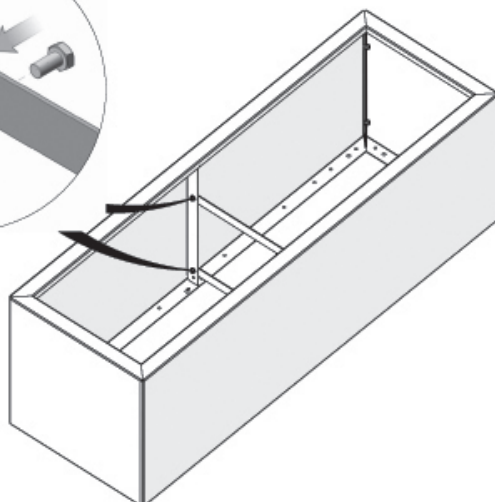
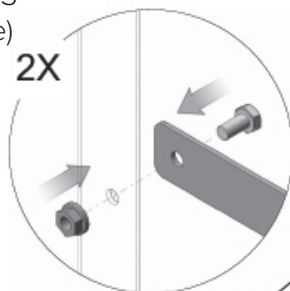
RAISED GARDEN BEDS (without a bottom plate)

LARGE

40 x 120 cm
40 x 160 cm
40 x 200 cm

60 x 120 cm
60 x 160 cm
60 x 200 cm

80 x 120 cm
80 x 160 cm
80 x 200 cm



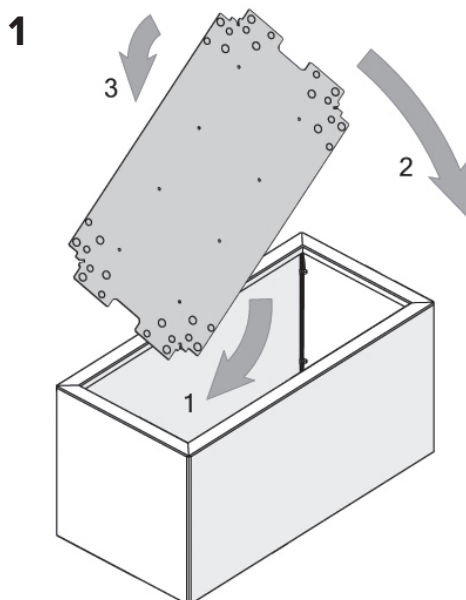
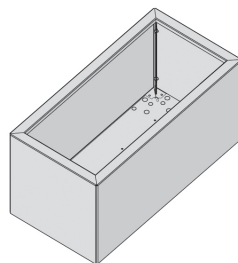
PLANTER BOXES

SMALL

40 x 40 cm

40 x 80 cm

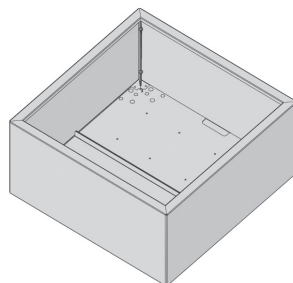
60 x 40 cm



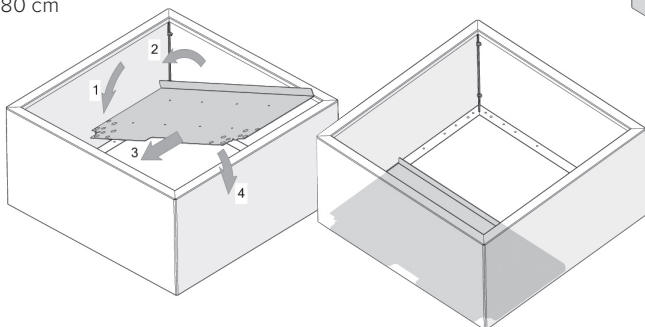
PLANTER BOXES
MEDIUM

60 x 80 cm

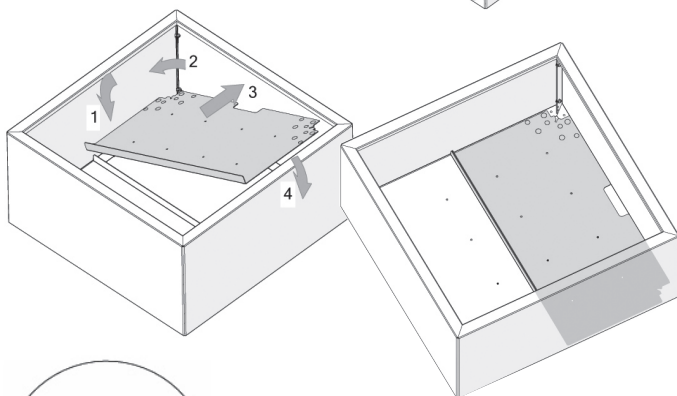
80 x 80 cm



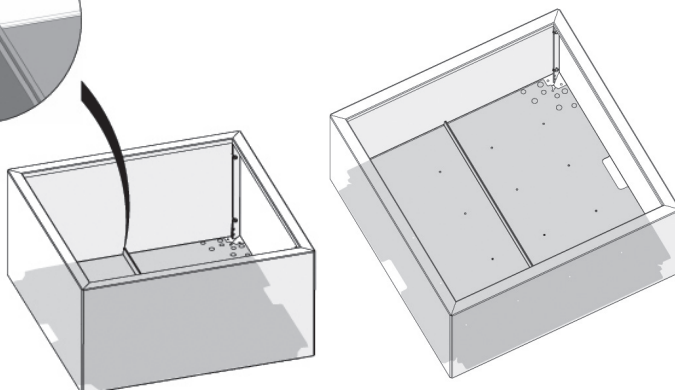
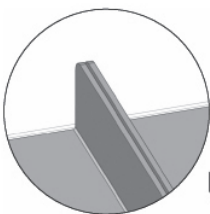
1



2



3



PLANTER BOXES
LARGE

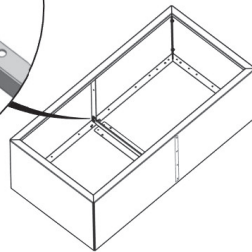
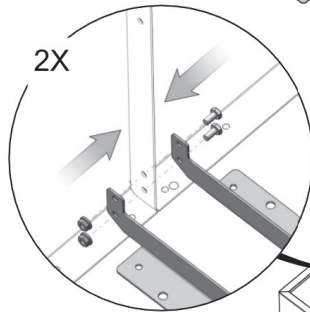
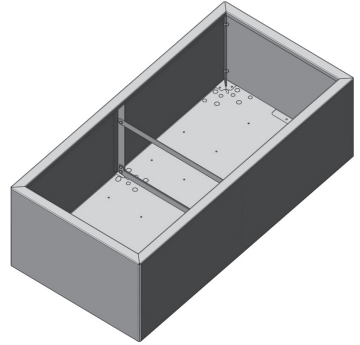
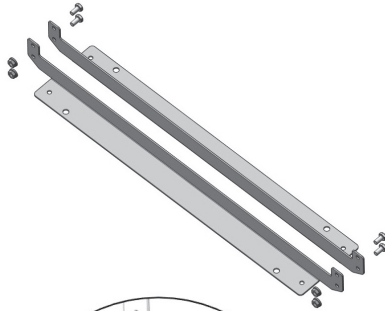
40 x 120 cm
40 x 160 cm
40 x 200 cm

60 x 120 cm
60 x 160 cm
60 x 200 cm

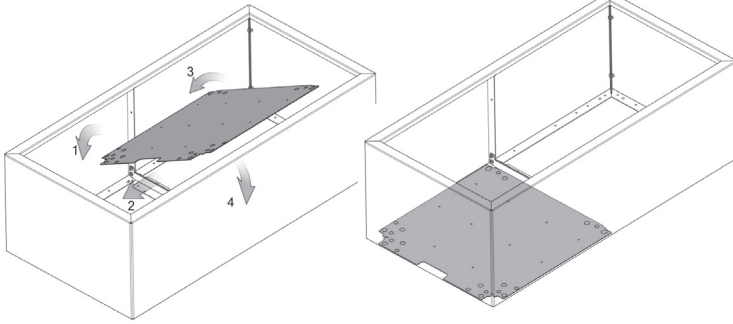
80 x 120 cm
80 x 160 cm
80 x 200 cm



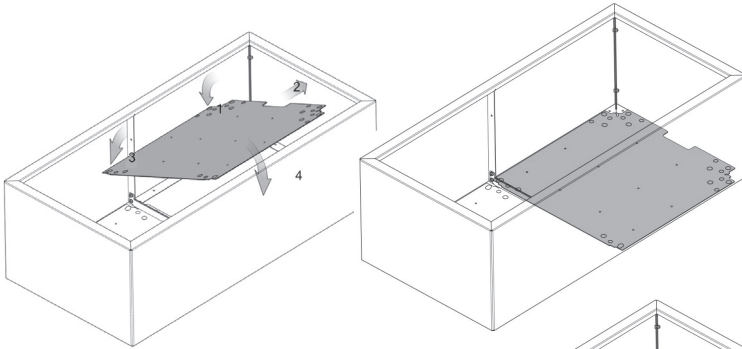
1



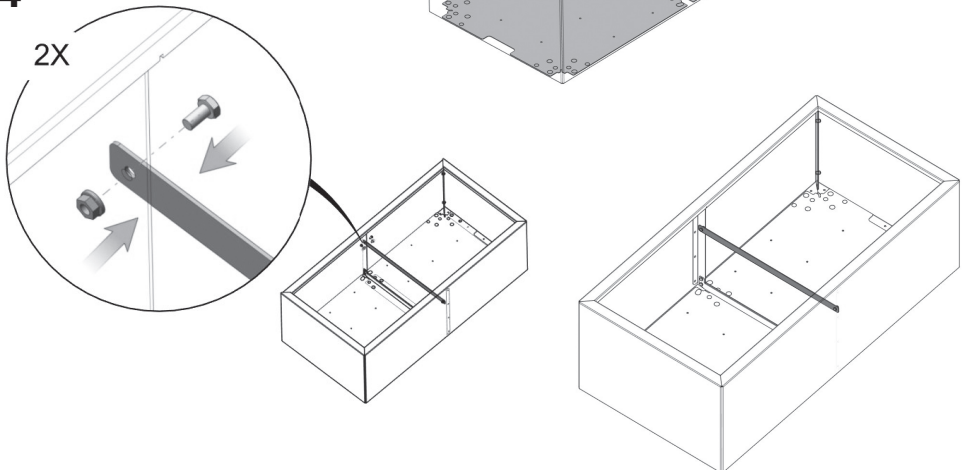
2



3



4



WHO IS HWAM A/S

HWAM A/S is one of Denmark's largest manufacturers of modern high-quality wood-burning stoves. HWAM A/S has been an innovative player in the wood-burning stove industry since the 1970s and a pioneer within the technological development of wood-burning stoves.

HWAM products are manufactured at a high-tech production facility in Denmark. In 2021, HWAM A/S will expand its range with a HWAM Outdoor series. Production will be in the experienced Danish hands of our wood-burning stove production.

Read more about HWAM A/S at www.hwam.com.



HWAM A/S Nydamsvej 53
DK-8362 Hørning Denmark
www.hwam.com