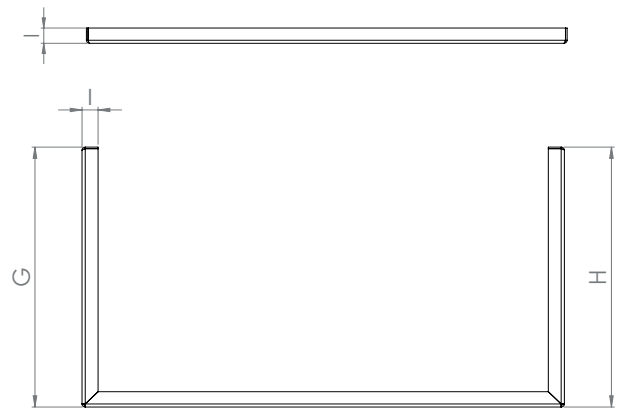
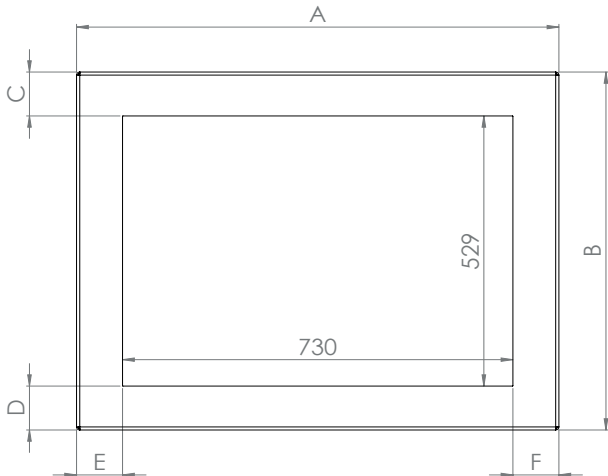
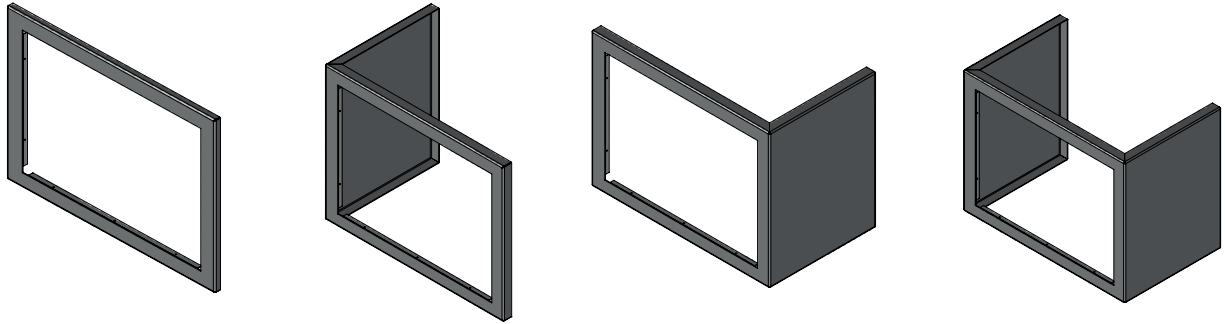


ORDER FORM

Customised frame *with bent edges* for HWAM I 40/55



Fill in EITHER the measures A+B (total width and total height of the front with a centered opening in the front) OR the measures C+D+E+F (the width of the frames of the front). ALWAYS fill in measure I. ONLY fill in measure G if a left side is wanted. ONLY fill in measure H if a right side is wanted.

- A _____ mm¹⁾ Total width of the front
- B _____ mm²⁾ Total height of the front
- C _____ mm³⁾ Frame width, top
- D _____ mm³⁾ Frame width, bottom
- E _____ mm³⁾ Frame width, left side
- F _____ mm³⁾ Frame width, right side
- G _____ mm⁴⁾ Length, left side
- H _____ mm⁴⁾ Length, right side
- I _____ mm⁵⁾ Width of the bent edge

¹⁾ Min. 776 – max. 1130 mm
²⁾ Min. 575 – max. 929 mm
³⁾ Min. 23 – max. 200 mm
⁴⁾ Min. 12 – max. 700 mm
⁵⁾ Min. 12 – max. 40 mm

Retailer

PO number (customer ref.)

Date

Name of end user

Please mail the order form to order@hwam.com

Order number (to be completed by HWAM)